

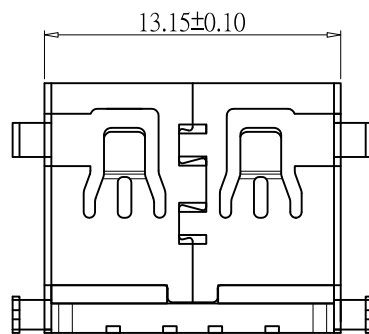
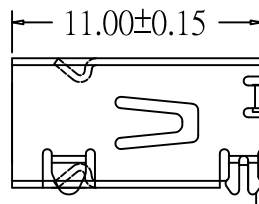
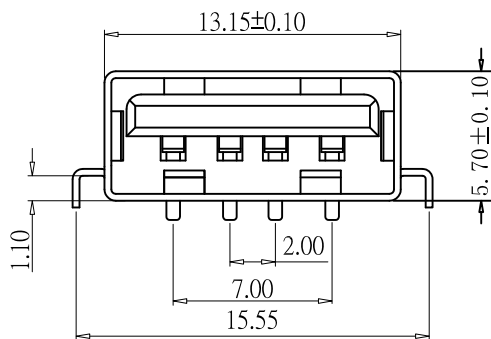
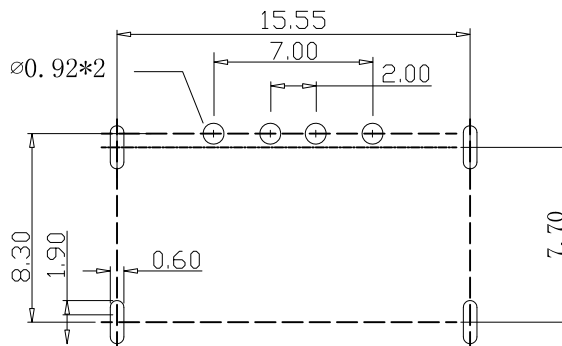
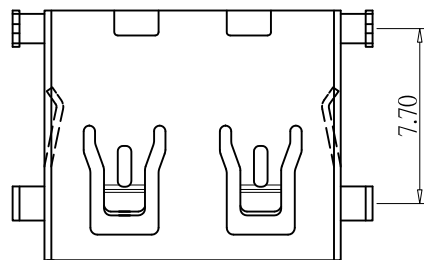
RoHS

MAPX

MODIFICATION

DRW

DATE



**规格说明: Specifications:**

**电气特性: Electrical:**

- 额定电流: Current Rating  
1.5A/contact terminal
- 额定电压: Voltage Rating  
30V DC
- 接触电阻: Contact Resistance  
30 milliohms MAX
- 耐压: Dielectric Withstanding Voltage:  
500 V AC AT Sea Level
- 绝缘电阻: Insulation Resistance:  
1000MEGA ohms MIN

**物理性能: Mechanical:**

- 插拔力: Connector Mate and Unmate Force  
Mate force: 3.57kgf(MAX)  
Unmate force: 1.02kgf(MIN)
- 端子保持力: Terminal Retention  
1.0kgf(MIN)

**原材料: Material:**

- 塑胶: Housing:  
Hing Temperature Ternmaplastics,

- 端子: Contact: Copper Alloy C2680
- 外壳: Shell: Copper Alloy C2680/SPCC

**电镀: Finish:**

- 端子: Contact: Plated Gold in Mating Area;  
Tin On Solder Talls

端子四周镀50U"(MIN)锡,镀金区域镀100-200U"镀金1U"

- 外壳: Shell:  
外壳四周镀80U"(MIN)锡  
Nickel Plating

**产品图**

PRODUCT CHART DWG

公差一览表  
TOLERANCE UNLESS OTHERWISE

X.	±0.25	X.	±5°
X	±0.20	.X	±2°
.XX	±0.15	.XX	±1°
.XXX	±0.10	.XXX	±0.5°



**易芯精密科技(浙江)有限公司**  
Easychips Precision Technology (Zhejiang) Co., Ltd.

单位 UNITS	MM	制图 DRAWING	制图料号 PRODUCT PART NO.	A905-EC761A2022D10202
比例 SCALE	1:1	审核 CHKD	产品名称 PRODUCT NO.	AF/90度11.0沉板1.1四脚插板脚距7.7无边铁壳LCP黑色
日期 DATE	2021-04-12	核准 APPD	角法 VIEW	版本 VER
				A0