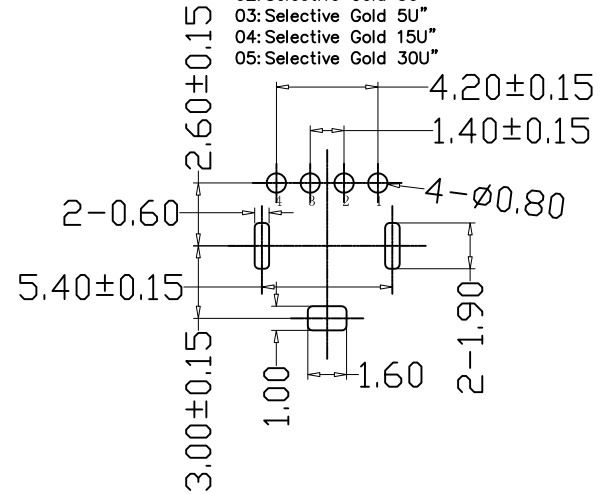
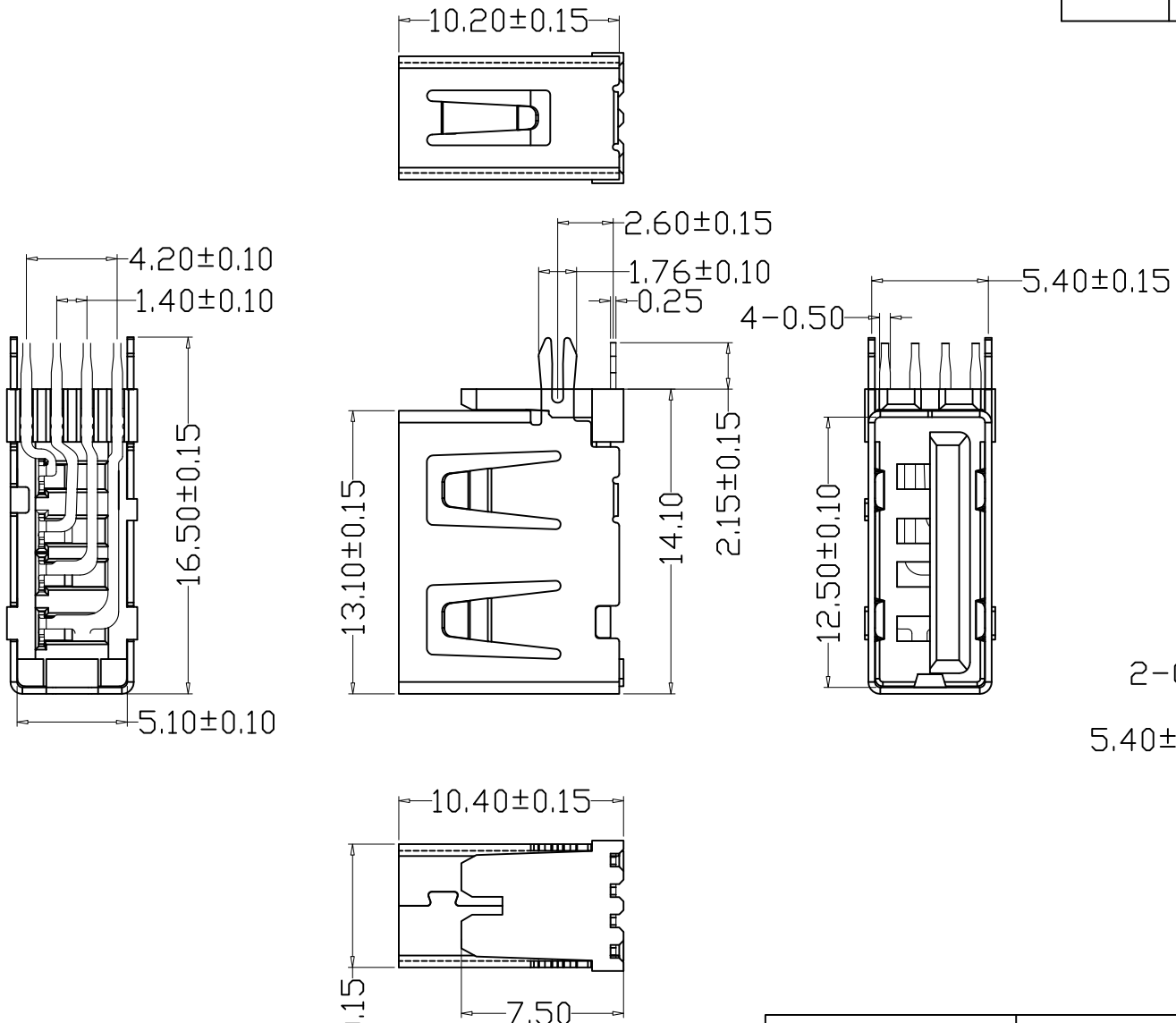


MAPX	MODIFICATION	DATE

NOTE:

- Material:
 - Housing: Thermoplastics
 - Contact: Phosphor Bronze C5191-EH/C2680-EH, T=0.25mm
 - Shell: COPPER ALLOY T=0.30mm
- FINISH:
 - Contact: 15u" Gold Plated on Contact Area, 80u" Min.Tin Plated on Solder Area, 50u" Min.Nickel Underplating Over All.
 - Shell: 50u" Min.Nickel Underplating Over All.
- Specification:
 - 3.1: Rating:
 - Rated voltage 500V AC/DC. Rated current: 2 A Max.
 - 3.2: Electrical:
 - Insulation Resistance(EIA-364-21): 1000M Ω Min. at 500V/DC for 1Minute.
 - Contact Resistance(EIA-364-23): 30 m Ω Max. at 20mV Max, 50mA
 - Dielectric Withstanding Voltage(EIA-364-20): No discharge, flashover or breakdown at 500V/AC 1Minute
- Plug extraction force shall be between 1.0kgf and 2.00kgf
- Contact finish:
 - 01: Selective Gold Flash
 - 02: Selective Gold 3U"
 - 03: Selective Gold 5U"
 - 04: Selective Gold 15U"
 - 05: Selective Gold 30U"



RECOMMENDED PCB LAYOUT
GENERAL TOLERANCES: ± 0.05

<p>产品图 PRODUCT CHART DWG</p> <p>公差一览表 TOLERANCE UNLESS OTHERWISE</p> <table border="1"> <tr> <td>X.</td> <td>± 0.25</td> <td>X.</td> <td>$\pm 5^\circ$</td> </tr> <tr> <td>.X</td> <td>± 0.20</td> <td>.X</td> <td>$\pm 2^\circ$</td> </tr> <tr> <td>.XX</td> <td>± 0.15</td> <td>.XX</td> <td>$\pm 1^\circ$</td> </tr> <tr> <td>.XXX</td> <td>± 0.10</td> <td>.XXX</td> <td>$\pm 0.5^\circ$</td> </tr> </table>				X.	± 0.25	X.	$\pm 5^\circ$.X	± 0.20	.X	$\pm 2^\circ$.XX	± 0.15	.XX	$\pm 1^\circ$.XXX	± 0.10	.XXX	$\pm 0.5^\circ$	<p>易芯精密科技(浙江)有限公司 Easychips Precision Technology (Zhejiang) Co., Ltd.</p>			
X.	± 0.25	X.	$\pm 5^\circ$																				
.X	± 0.20	.X	$\pm 2^\circ$																				
.XX	± 0.15	.XX	$\pm 1^\circ$																				
.XXX	± 0.10	.XXX	$\pm 0.5^\circ$																				
单位 UNITS	MM	制图 DRAWING	Z-Y-B	制图料号 PRODUCT PART NO.	A906-EC861A2116D10210																		
比例 SCALE	1:1	审核 CHKD		产品名称 PRODUCT NO.	AF10.0侧插短体外鱼叉内无脚无边 铁壳加厚PBT橙胶																		
日期 DATE	2014.02.20	核准 APPD		角法 VIEW	版本 VER																		
					A0																		