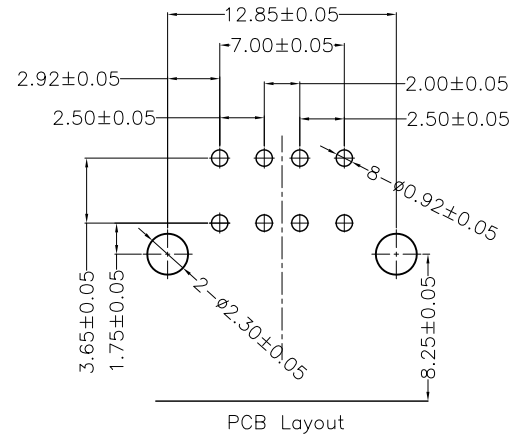
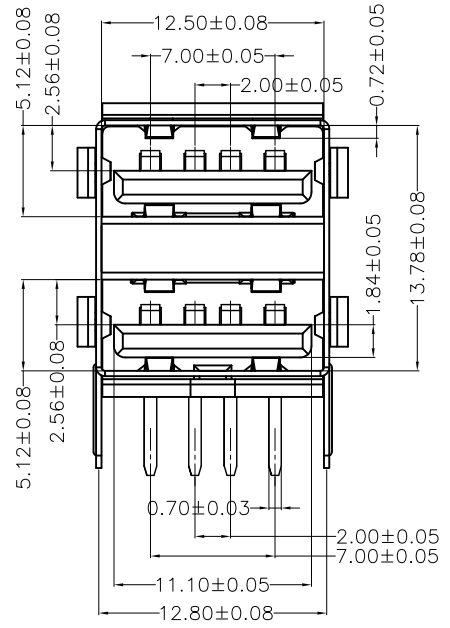
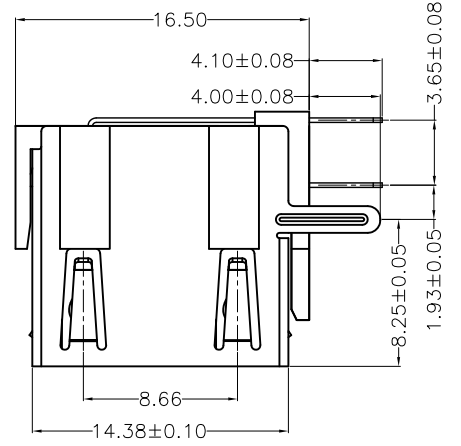
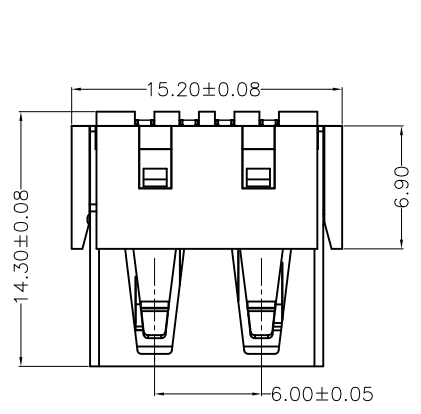


MAPX	MODIFICATION	DATE


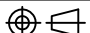


NOTES:

- 1. HOUSING: SEE NOTES, UL94V-0 .
- TERMINAL: SEE NOTES.
- SHELL: SEE NOTES.

SPECIFICATION:

- 1. ELECTRICAL CHARACTERISTIC:
 - CONTACT RESISTANCE: 30MΩ MAX
 - DIELECTRIC WITHSTANDING VOLTAGE: 500V AC FOR 1MIN
 - INSULATION RESISTANCE: 1000MΩ MIN
- 2. MECHANICAL CHARACTERISTIC:
 - INSERTION FORCE: 35N(3.57KGF) MAX
 - EXTRACTION FORCE: 10~35N(1.02~3.57KGF) MIN
- 3. Contact finish:
 - 01: Selective Gold Flash
 - 02: Selective Gold 3U"
 - 03: Selective Gold 5U"
 - 04: Selective Gold 15U"
 - 05: Selective Gold 30U"

产品图 PRODUCT CHART DWG 公差一览表 TOLERANCE UNLESS OTHERWISE				 易芯精密科技(浙江)有限公司 Easychips Precision Technology (Zhejiang) Co.,Ltd.			
单位 UNITS	MM	制图 DRAWING	Z-Y-B	制图料号 PRODUCT PART NO.	A907-EC222B1021D10200		
.X	±0.15	.X	±5.°	产品名称 PRODUCT NAME	AF90度14.5双层短体直脚无边铜壳 反向PBT黑胶		
.X	±0.10	.X	±2.°	角法 VIEW			
.XX	±0.05	.XX	±1.°	版本 VER	AO		
.XXX	±0.03	.XXX	±0.5°	日期 DATE	2010.05.06		
		核准 APPD					