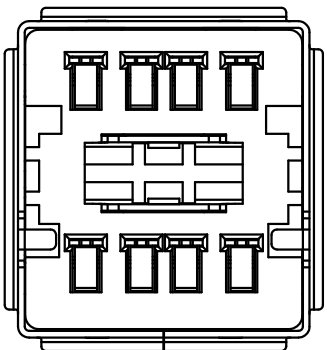
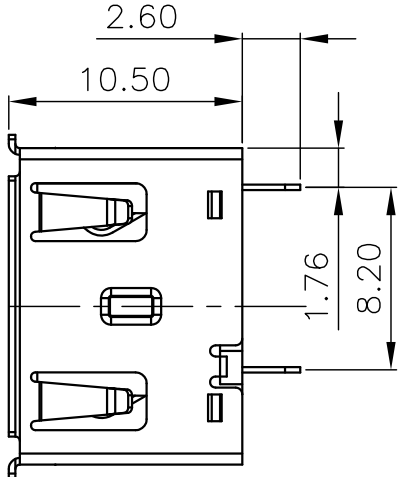
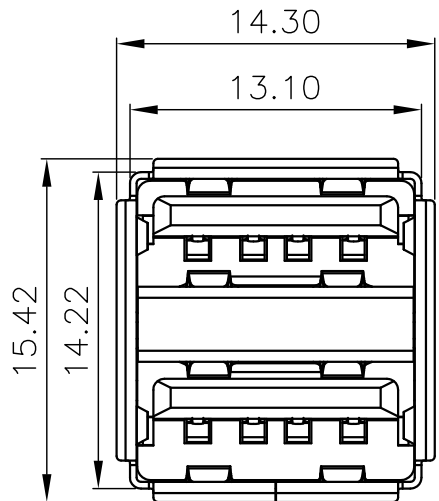
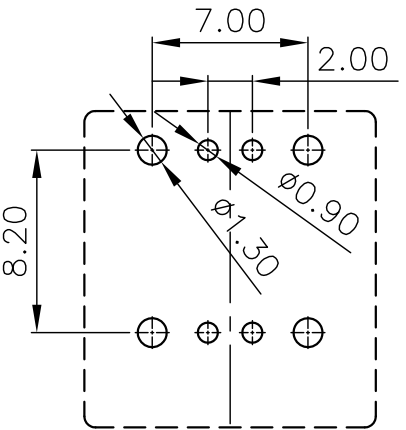
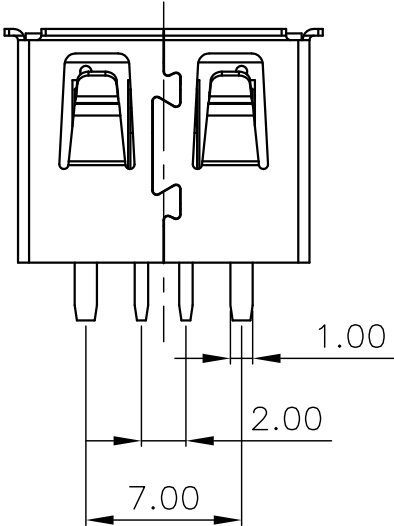


MAPX	MODIFICATION	DATE

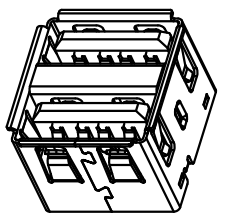


Note:

- Material:
  - Housing: High temperature thermoplastic with/black G/F,UL94v-0
  - Contact: copper alloy,t=0.25mm
  - Shell: copper/Ferroalloy alloy,t=0.30mm
- Specification:
  - Current rating:1.5A Max.
  - Dielectric withstanding voltage: 100 V(ac) for 1 min.
  - Contact resistance: 30 mΩ Max.
  - Insulation resistance: 100 MΩ Min.
  - Total mating force: 3.57 Kgf Max.
  - Total unmating force: 1.0 Kgf Min.
- Finish:
  - Contact: Plated Golg in Mating Area:  
Tin On Solder Talls  
Shell: Nickel Plating
- Environmental:
  - Temperature range: -55°C~85°C



P. C. B LAYOUT



<b>产品图</b> PRODUCT CHART DWG					
<b>公差一览表</b> TOLERANCE UNLESS OTHERWISE		单位 UNITS	MM	制图 DRAWING	制图料号 PRODUCT PART NO.
X.	±0.30	X.	±5.°	比例 SCALE	产品名称 PRODUCT NO.
.X	±0.25	.X	±2.°	日期 DATE	AF大电流180度10.5双层无脚有边平弹 铜壳PBT黑胶
.XX	±0.15	.XX	±1.°	日期 DATE	2019. 11. 23
.XXX	±0.10	.XXX	±0.5°	核准 APPD	角法 VIEW
		版本 VER	AO		