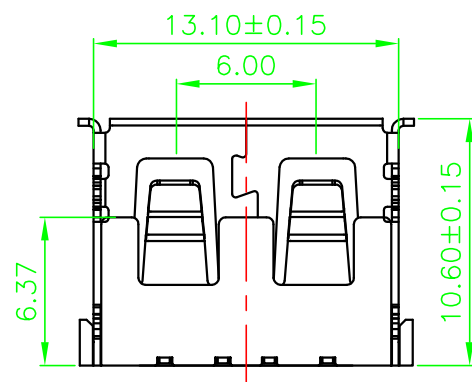
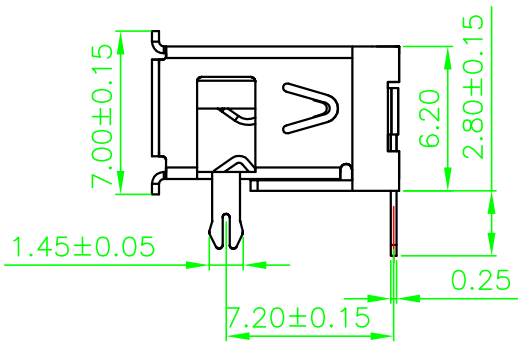
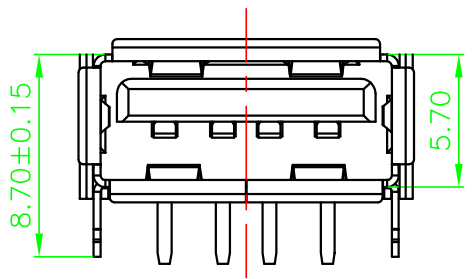
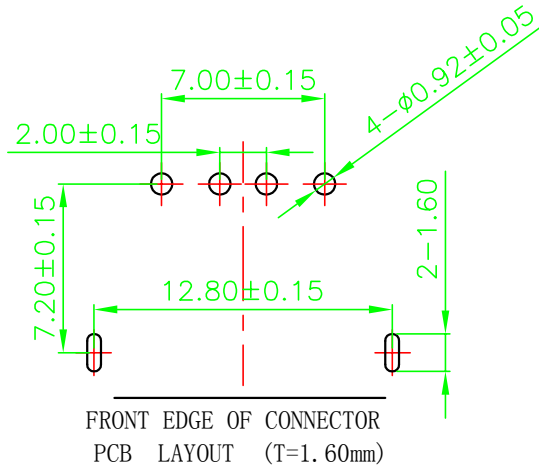
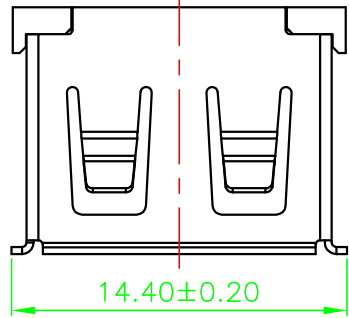


RoHS



REVISIONS				
SYM	ECN No.	MODIFICATION	DATE	ISSUED



1	912-111A1011D10100	5	
2		6	
3		7	
4		8	

Note:

- Material:
 - Housing: High temperature thermoplastic with/black G/F,UL94v-0
 - Contact: copper alloy,t=0.25mm
 - Shell: copper/Ferroalloy alloy,t=0.30mm
- Specification:
 - Current rating:1.5A Max.
 - Dielectric withstanding voltage: 100 V(ac) for 1 min.
 - Contact resistance: 30 mΩ Max.
 - Insulation resistance: 100 MΩ Min.
 - Total mating force: 3.57 Kgf Max.
 - Total unmating force: 1.0 Kgf Min.
- Finish:
 - Contact: Plated Golt in Mating Area: Tin On Solder Talls
 - Shell: Nickel Plating
- Environmental:
 - Temperature range: -55°C~85°C

DRAWN		 易芯精密科技(浙江)有限公司 Easychips Precision Technology (Zhejiang) Co., Ltd.					
CHECKED				TITLE	PART NO.		
APPROVED		AF10. 6D款前两脚有边方弹 铜壳PBT白胶6. 2DIP		A912-EC112A1011D10100			
 3rd ANGLE PROJECTION		UNIT	TOLERANCE	SCALE	SHEET	SIZE	REV.
		mm	.XXX±.10, .XX±.20, .X±.25, ANG±5°	1:1	1 OF 1	A4	X1