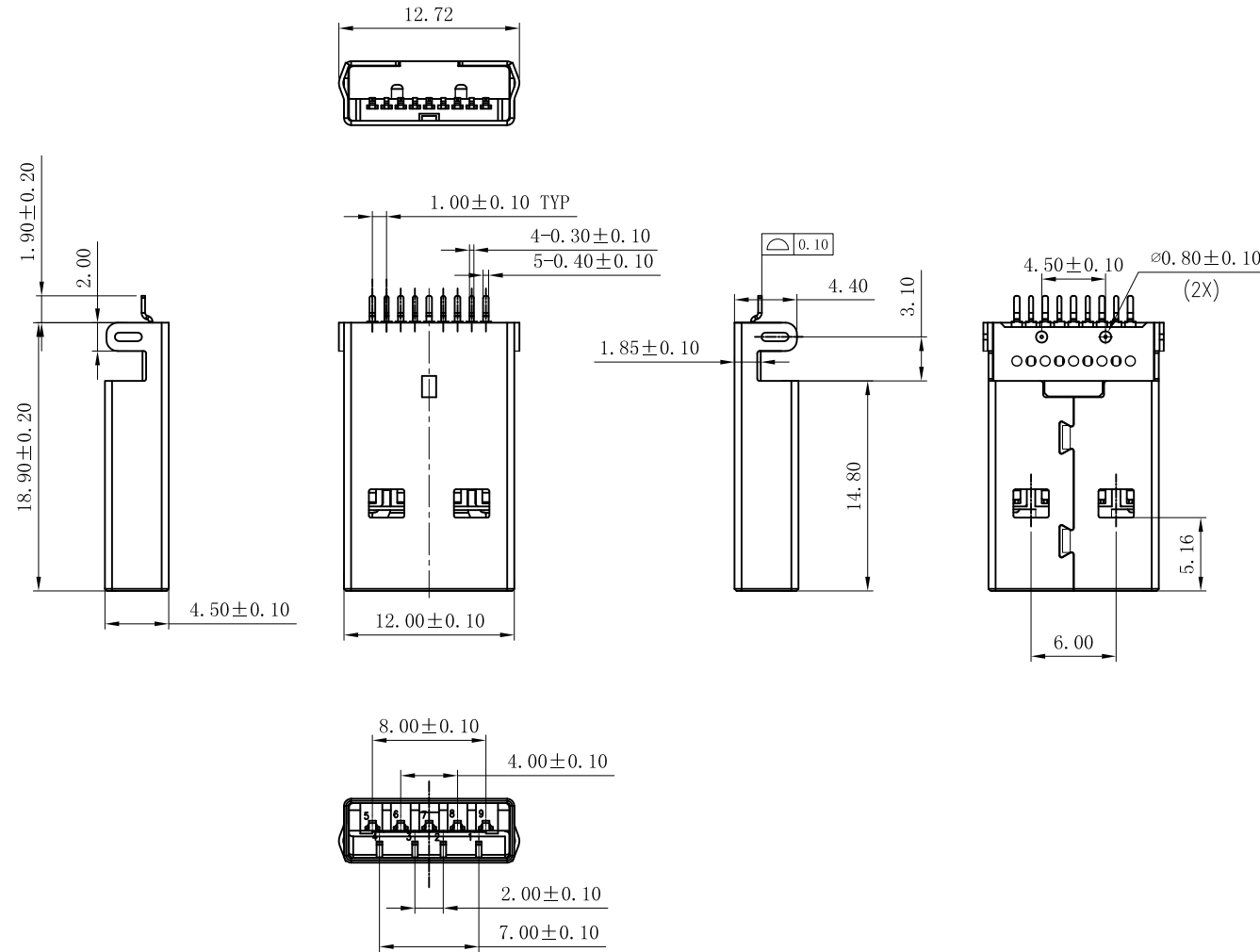
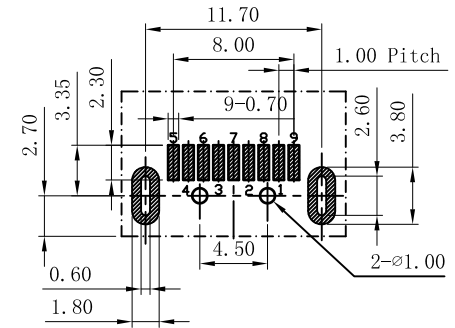


目錄 MAPX	设变内容 MODIFICATION	日期 DATE



SPECIFICATIONS:
 Contact current Rating:
 1.8 Amperes for pin1&pin4.
 0.25 Amperes other contacts
 Dielectric Withstanding Voltage:AC 100V(RMS)
 Insulation resistance:100Megohms Minimum.
 Contact Resistance:
 30mΩ Max for pin1&pin4
 50mΩ Max for other contacts
Mechanical Characteristics:
 Mating Force:35 Newtons.Maximum
 Unmating Force:10 Newtons.Minimum.
MATERIAL:
 Housing: LCP+30%GF 94V-0 COLOR:BLUE
 Contact: copper alloy(T=0.25mm)
 Shell: SPCC
PLATING:
 Contact: Au Plated on contact area
 Tin Plated on solder area
 Nickel underplating over all
 Shell: Nickel Plated
 operating Temperature:-55~+85°



REFERENCE PCB LAYOUT

产品图 PRODUCT CHART DWG		易芯精密科技(浙江)有限公司 Easychips Precision Technology (Zhejiang) Co., Ltd.								
公差一览表 TOLERANCE UNLESS OTHERWISE				单位 UNITS	MM	制图 DRAWING	Z-Y-B	产品料号 PRODUCT PART NO.	A917-ECP81A205CS60202	
X.	±0.15	X'	±5°	比例 SCALE	1:1	审核 CHKD	日期 DATE	产品名称 PRODUCT NO.	AM/3.0沉板弯脚有孔铁壳L=1.9MM	
.X	±0.10	.X'	±2°						LCP蓝胶SMT有柱	
.XX	±0.05	.XX'	±1°						角法 VIEW	
.XXX	±0.03	.XXX'	±0.5°	核准 APPD	2009/10/20	角法 VIEW		版本 VER	A0	