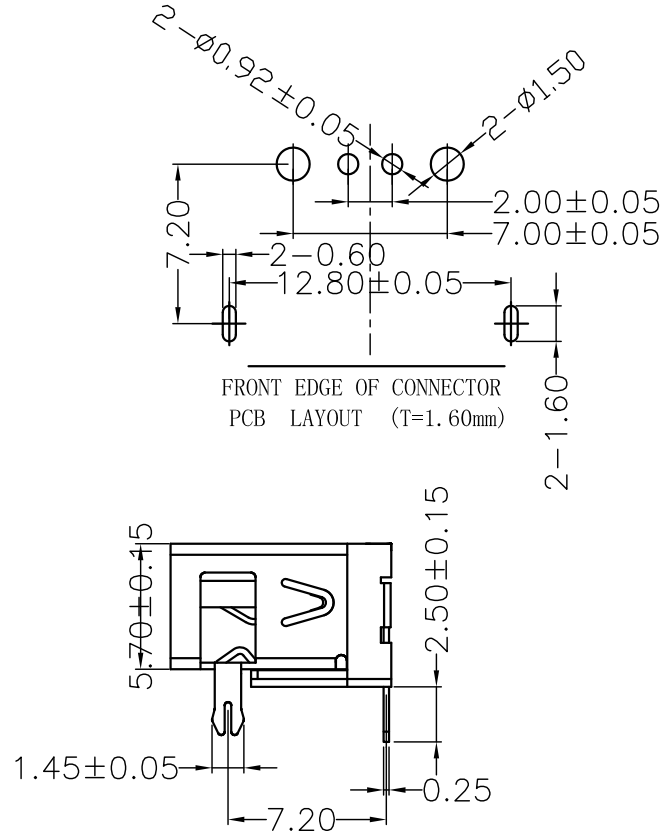
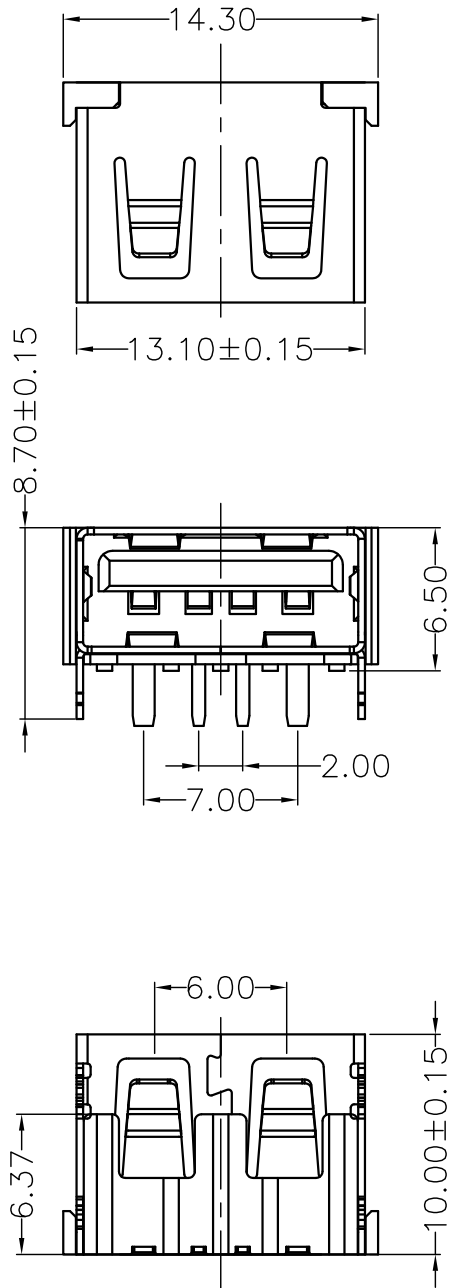


Parts Drawing

REVISIONS				
SYM	ECN No.	MODIFICATION	DATE	ISSUED



Note:

1.Material:

- 1.1,Housing: High temperature thermoplastic with/black g.f,UL94v-0
- 1.2,Contact: copper alloy,t=0.25mm
- 1.3,Shell: copper/Ferroalloy alloy,t=0.30mm

2.Specification:

- 2.1,Current rating:1.5A Max.
- 2.2,Dielectric withstanding voltage: 100 V(ac) for 1 min.
- 2.3,Contact resistance: 30 mΩ Max.
- 2.4,Insulation resistance: 100 MΩ Min.
- 2.5,Total mating force: 3.57 Kg Max.
- 2.6,Total unmating force: 1.0 Kg Min.

3.Finish:

- 3.1,Contact: Plated Golt in Mating Area: Tin On Solder Talls
- Shell: Nickel Plating

4.Environmental:

- 4.1,Temperature range: -55°C~85°C

1	919-162A1022D10400	1	
2		2	
3		3	
4		4	

DRAWN					
CHECKED		TITLE		PART NO.	
APPROVED		AF10. 0D款大电流前两脚无边铜壳PBT黑胶DIP-H6. 5		A919-EC162A1022D10400	
		TOLERANCE		SCALE	SHEET
UNIT		.XXX±.10, .XX±.25, .X±.38, ANG±5°		1:1	1 OF 1
mm				SIZE	REV.
				A4	X1