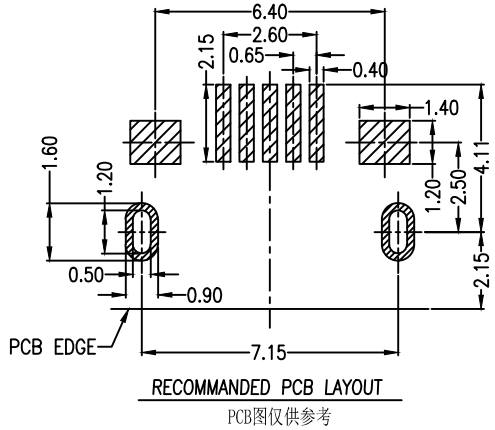
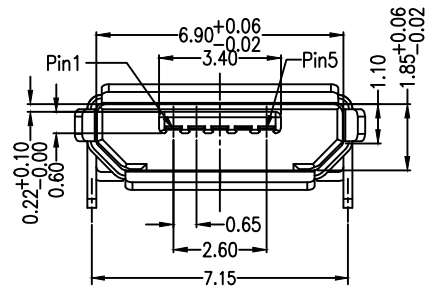
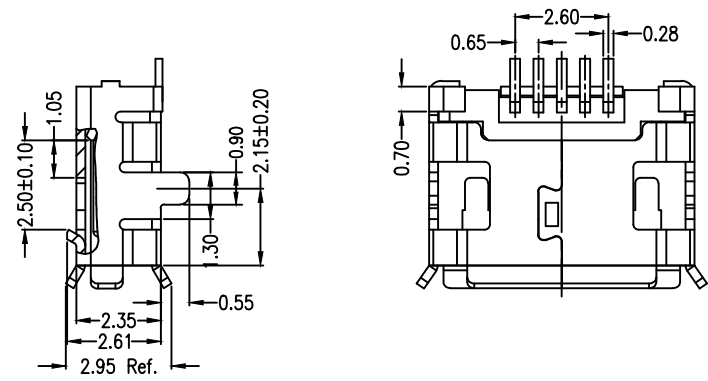
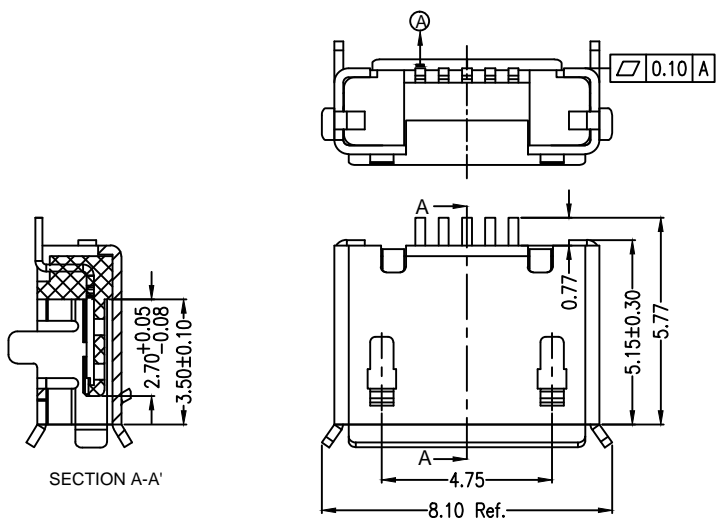


MAPX	MODIFICATION	DATE



- Note:
- Material:
 - Housing: High temperature thermoplastic with g.f,UL94v-0
 - Contact: copper alloy,t=0.20mm
 - Shell: copper alloy,t=0.25mm
 - Specification:
 - Current rating:1.5PIN 1.8A Max/2,3,4PIN 1A Max.
 - Dielectric withstanding voltage: 100 V(ac) for 1 min.
 - Contact resistance: 30 mΩ Max.
 - Insulation resistance: 100 MΩ Min.
 - Total mating force: 3.57 Kgf Max.
 - Total unmating force: 1.0 Kgf Min.
 - Temperature range: -30°C~80°C

产品图 PRODUCT CHART DWG		易芯精密科技(浙江)有限公司 Easychips Precision Technology (Zhejiang) Co., Ltd.			
公差一览表 TOLERANCE UNLESS OTHERWISE		单位 UNITS	MM	制图 DRAWING	制图料号 PRODUCT PART NO.
X.	±0.30	X.	±5.°		B920-ECA52A2021S10107
.X	±0.25	.X	±2.°	比例 SCALE	产品名称 PRODUCT NO.
.XX	±0.20	.XX	±1.°	1:1	MICRO/5P-F 两脚DIP7.2有边无柱 加焊脚端子长端0.75SMT
.XXX	±0.10	.XXX	±0.5°	日期 DATE	角法 VIEW
				2019.11.23	版本 VER
				核准 APPD	AO