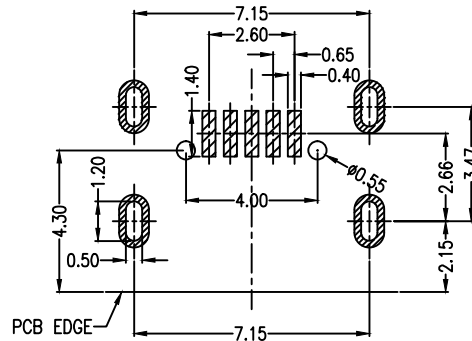
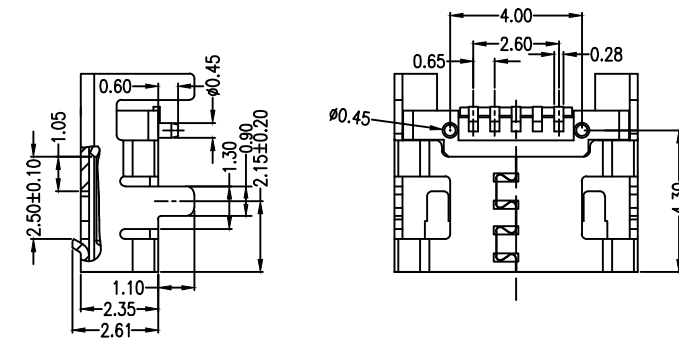
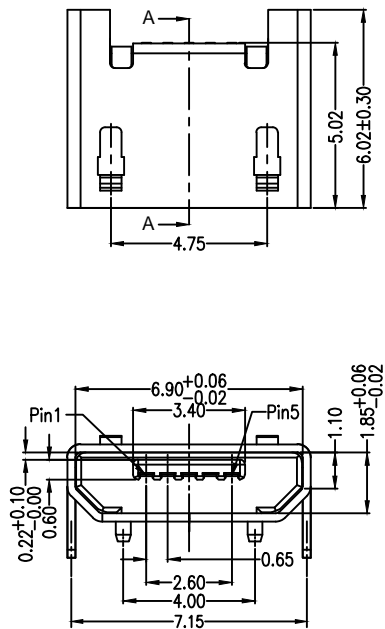
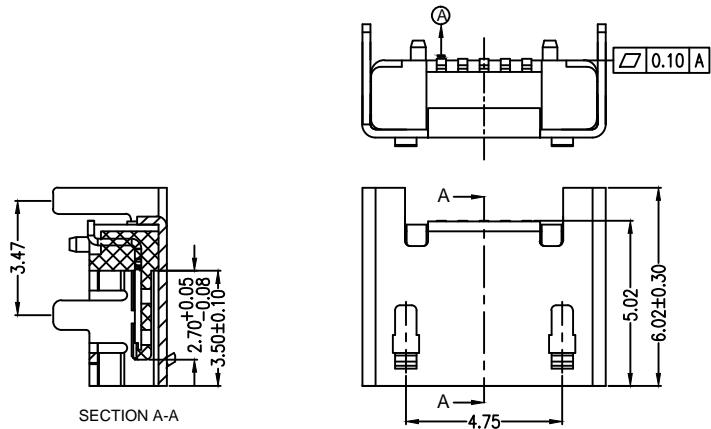


MAPX	MODIFICATION	DATE



RECOMMENDED PCB LAYOUT

PCB图仅供参考

Note:

1.Material:

- 1.1 Housing: High temperature thermoplastic with g.f,UL94v-0
- 1.2 Contact: copper alloy,t=0.20mm
- 1.3 Shell: copper alloy,t=0.25mm

2.Specification:

- 2.1 Current rating:1,5PIN 1.8A Max/2,3,4PIN 1A Max.
- 2.2 Dielectric withstanding voltage: 100 V(ac) for 1 min.
- 2.3 Contact resistance: 30 mΩ Max.
- 2.4 Insulation resistance: 100 MΩ Min.
- 2.5 Total mating force: 3.57 Kgf Max.
- 2.6 Total unmating force: 1.0 Kgf Min.
- 2.7 Temperature range: -30°C~80°C

<p>产品图 PRODUCT CHART DWG</p>		<p>易芯精密科技(浙江)有限公司 Easychips Precision Technology (Zhejiang) Co., Ltd.</p>								
<p>公差一览表 TOLERANCE UNLESS OTHERWISE</p>				<p>单位 UNITS</p>	<p>MM</p>	<p>制图 DRAWING</p>	<p>许榕强</p>	<p>制图料号 PRODUCT PART NO.</p>	<p>B920-ECA62A2021S10105</p>	
X.	±0.35	X.	±5°	<p>比例 SCALE</p>	<p>1:1</p>	<p>审核 CHKD</p>	<p>郭治富</p>	<p>产品名称 PRODUCT NO.</p>	<p>MICRO/SS-B 四脚DIP7.2无边脚长1.1 有柱短端SMT</p>	
.X	±0.25	.X	±2°							
.XX	±0.20	.XX	±1°							
.XXX	±0.10	.XXX	±0.5°	<p>日期 DATE</p>	<p>2016-09-09</p>	<p>核准 APPD</p>	<p>黄国荣</p>	<p>角法 VIEW</p>	<p>版本 VER</p>	<p>A0</p>