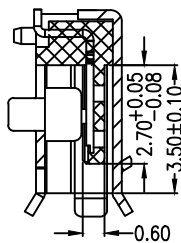
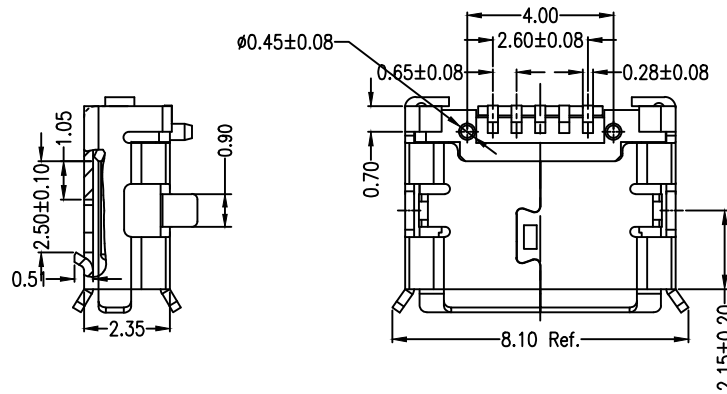
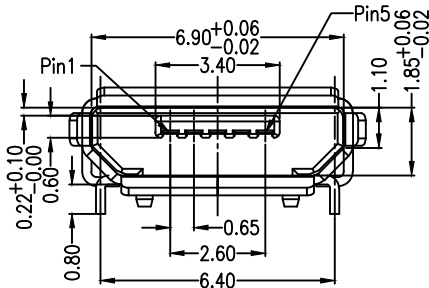
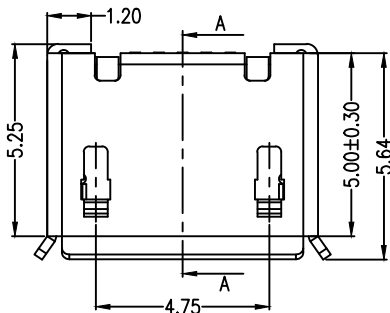
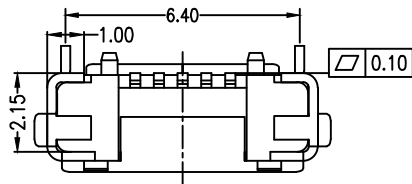


MAPX	MODIFICATION	DATE



SECTION A-A

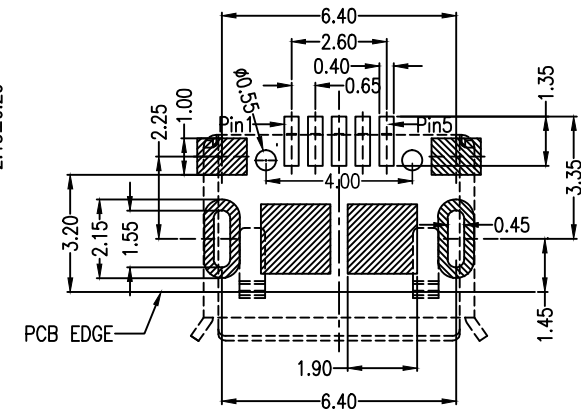
Note:

1.Material:

- 1.1 Housing: High temperature thermoplastic with g.f,UL94v-0
- 1.2 Contact: copper alloy,t=0.20mm
- 1.3 Shell: copper alloy or sus,t=0.25mm

2.Specification:

- 2.1 Current rating:1,5PIN 1.8A Max/2,3,4PIN 1A Max.
- 2.2 Dielectric withstanding voltage: 100 V(ac) for 1 min.
- 2.3 Contact resistance: 30 mΩ Max.
- 2.4 Insulation resistance: 100 MΩ Min.
- 2.5 Total mating force: 3.57 Kgf Max.
- 2.6 Total unmating force: 1.0 Kgf Min.
- 2.7 Temperature range: -30°C~80°C



RECOMMENDED PCB LAYOUT

PCB图仅供参考

产品图 PRODUCT CHART DWG		易芯精密科技(浙江)有限公司 Easychips Precision Technology (Zhejiang) Co., Ltd.								
公差一览表 TOLERANCE UNLESS OTHERWISE				单位	MM	制图	制图料号			
X.	±0.35	X.	±5.°	UNITS		DRAWING	PRODUCT PART NO. B920-ECA64A2091S101A3			
.X	±0.30	.X	±2.°	比例	1:1	审核	产品名称 MICRO 5S B型两脚插板6.4有边有柱加焊脚			
.XX	±0.20	.XX	±1.°	SCALE		CHKD	PRODUCT NO 短端SMT镀镍			
.XXX	±0.10	.XXX	±0.5°	日期	2016-06-05	核准	角法		版本	AD
				DATE		APPD	VIEW		VER	