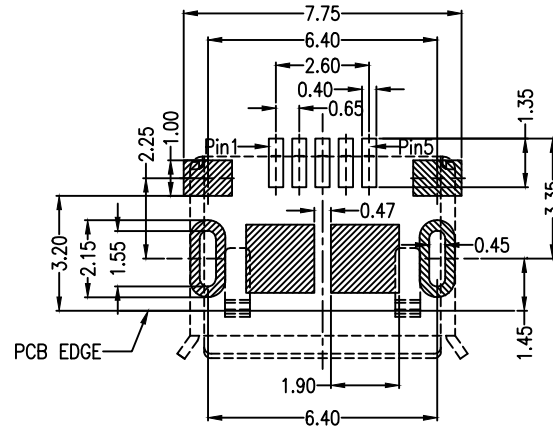
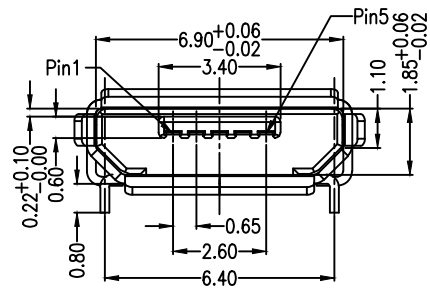
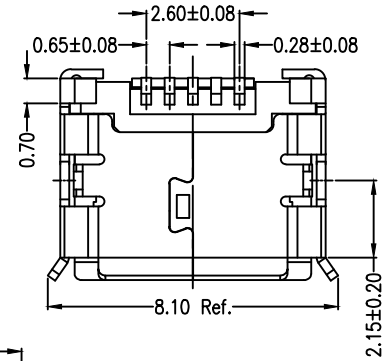
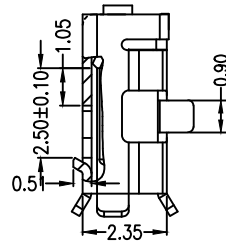
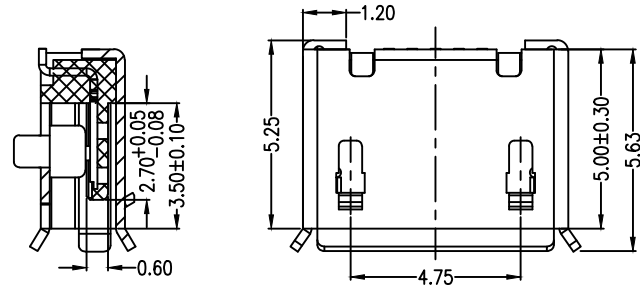
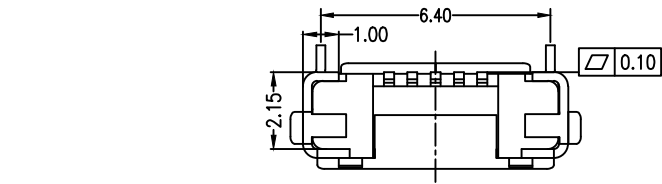


MAPX	MODIFICATION	DATE



RECOMMENDED PCB LAYOUT
PCB图仅供参考

Note:

1.Material:

- 1.1 Housing: High temperature thermoplastic with g.f,UL94v-0
- 1.2 Contact: copper alloy,t=0.20mm
- 1.3 Shell: copper alloy,t=0.25mm

2.Specification:

- 2.1 Current rating:1,5PIN 1.8A Max/2,3,4PIN 1A Max.
- 2.2 Dielectric withstanding voltage: 100 V(ac) for 1 min.
- 2.3 Contact resistance: 30 mΩ Max.
- 2.4 Insulation resistance: 100 MΩ Min.
- 2.5 Total mating force: 3.57 Kgf Max.
- 2.6 Total unmating force: 1.0 Kgf Min.
- 2.7 Temperature range: -30°C~80°C

产品图

PRODUCT CHART DWG



易芯精密科技(浙江)有限公司
Easychips Precision Technology (Zhejiang) Co., Ltd.

公差一览表 TOLERANCE UNLESS OTHERWISE		单位 UNITS	MM	制图 DRAWING	制料号 PRODUCT PART NO.	B920-ECB52A2021S10103
X.	±0.30 X.	±5.°			产品名称 PRODUCT NAME	MICRO 5S B型两脚插板6.4有边无
.X	±0.25 .X	±2.°	比例 SCALE	1:1	审核 CHKD	柱加焊脚底端SMT镀锡
.XX	±0.20 .XX	±1.°	日期 DATE	2019.11.23	核准 APPD	
.XXX	±0.10 .XXX	±0.5°			角法 VIEW	版本 VER
						AD