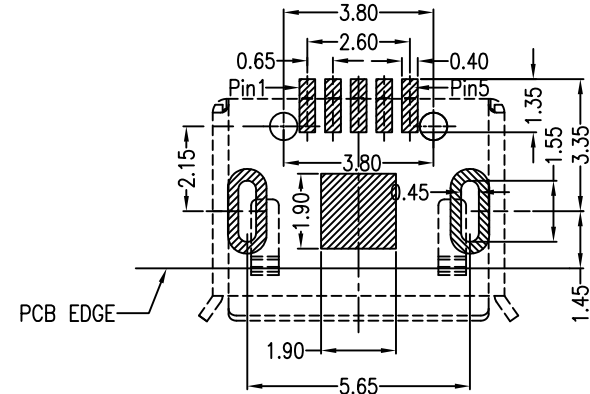
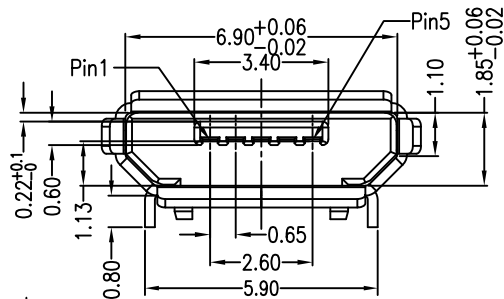
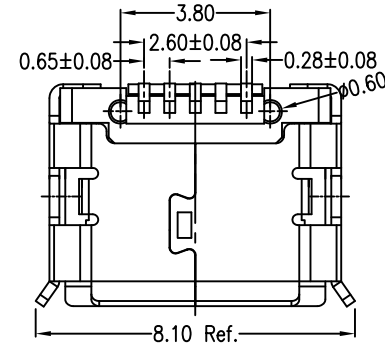
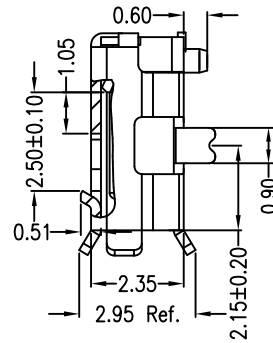
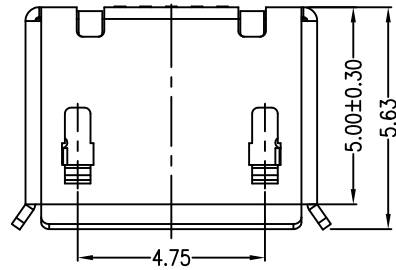
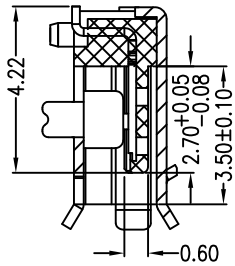
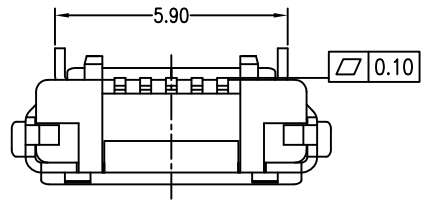


MAPX	MODIFICATION	DATE



RECOMMENDED PCB LAYOUT

PCB图仅供参考

Note:

1.Material:

- 1.1 Housing: High temperature thermoplastic with g.f,UL94v-0
- 1.2 Contact: copper alloy,t=0.20mm
- 1.3 Shell: copper alloy,t=0.25mm

2.Specification:

- 2.1 Current rating:1,5PIN 1.8A Max/2,3,4PIN 1A Max.
- 2.2 Dielectric withstanding voltage: 100 V(ac) for 1 min.
- 2.3 Contact resistance: 30 mΩ Max.
- 2.4 Insulation resistance: 100 MΩ Min.
- 2.5 Total mating force: 3.57 Kgf Max.
- 2.6 Total unmating force: 1.0 Kgf Min.
- 2.7 Temperature range: -30°C~80°C

产品图 PRODUCT CHART DWG				易芯精密科技(浙江)有限公司 Easychips Precision Technology (Zhejiang) Co., Ltd.						
公差一览表 TOLERANCE UNLESS OTHERWISE				单位	MM	制图	制图料号			
X.	±0.35	X.	±5°	UNITS		DRAWING	PRODUCT PART NO.	B920-ECC52A2021S10101		
.X	±0.30	.X	±2°	比例	1:1	审核	产品名称	MICRO-5S B型两脚插板5.9有边有柱SMT		
.XX	±0.20	.XX	±1°	日期	2016-09-09	核准	PRODUCT NO.	短端卷带成品		
.XXX	±0.10	.XXX	±0.5°	DATE		APPD	角法	版本	AD	
							VIEW	VER		