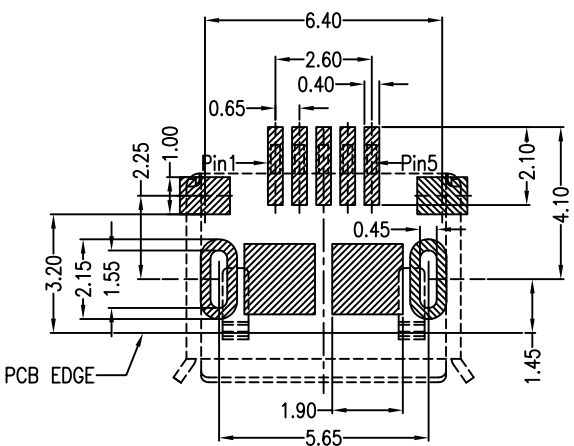
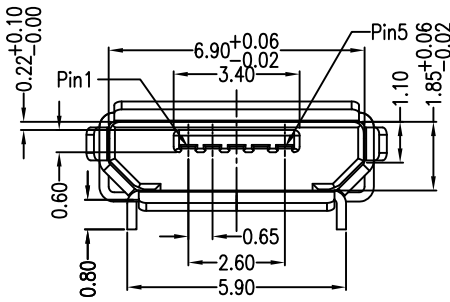
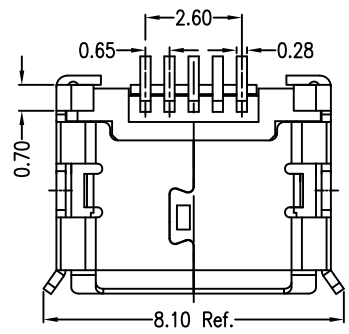
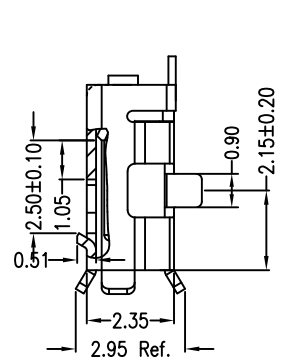
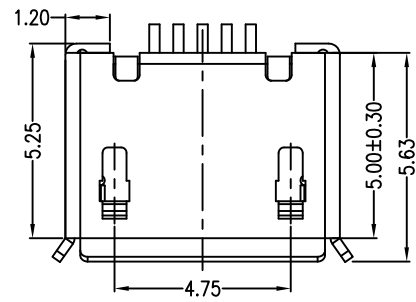
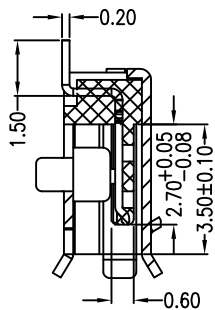
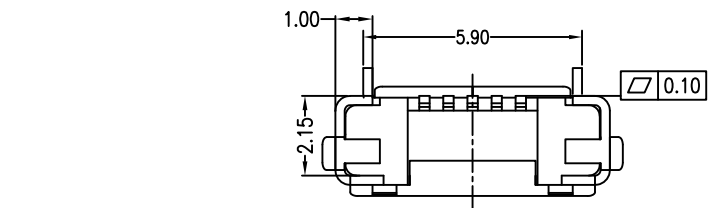


1 2 3 4 5 6 7 8 9 10

MAPX	MODIFICATION	DATE

A
B
C
D
E
F
G

A
B
C
D
E
F
G



- Note:
- Material:
 - Housing: High temperature thermoplastic with g.f,UL94v-0
 - Contact: copper alloy,t=0.20mm
 - Shell: copper alloy,t=0.25mm
 - Specification:
 - Current rating:1,5PIN 1.8A Max/2,3,4PIN 1A Max.
 - Dielectric withstanding voltage: 100 V(ac) for 1 min.
 - Contact resistance: 30 mΩ Max.
 - Insulation resistance: 100 MΩ Min.
 - Total mating force: 3.57 Kgf Max.
 - Total unmating force: 1.0 Kgf Min.
 - Temperature range: -30°C~80°C

RECOMMENDED PCB LAYOUT PCB图仅供参考

<p>产品图 PRODUCT CHART DWG</p>					
<p>公差一览表 TOLERANCE UNLESS OTHERWISE</p>		单位 UNITS	制图 DRAWING	制图料号 PRODUCT PART NO.	B920-ECC52A2021S10106
X.	±0.30 X.	MM	审核 CHKD	产品名称 PRODUCT NO.	MICRO 5S B型5.9两脚长0.8插板有边无柱SMT加长0.75加焊脚
.X	±0.25 .X	1:1	日期 DATE	角法 VIEW	版本 VER
.XX	±0.15 .XX	2019.11.23	核准 APPD	AO	
.XXX	±0.10 .XXX				

1 2 3 4 5 6 7 8 9 10