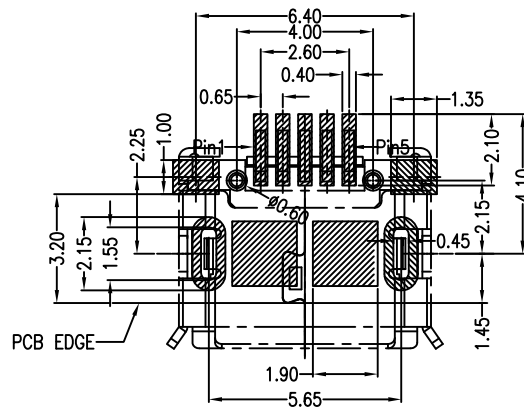
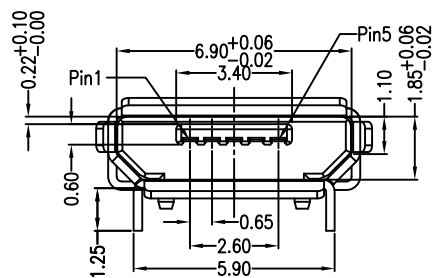
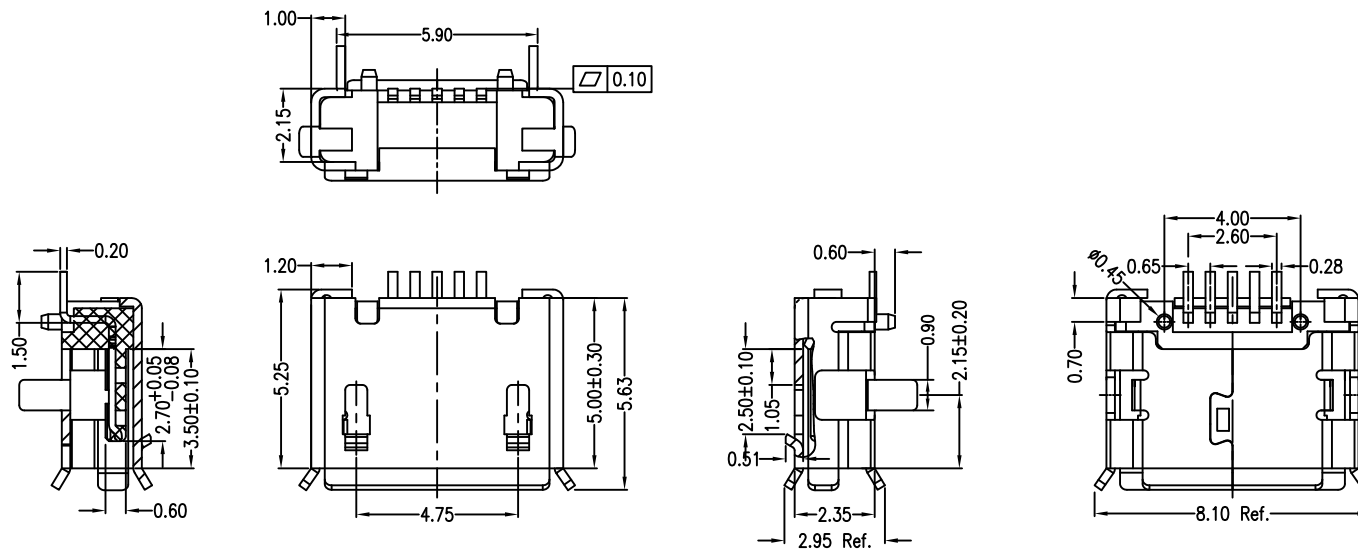


RoHS

MAPX

MODIFICATION

DATE



RECOMMENDED PCB LAYOUT  
PCB图仅供参考

Note:

1.Material:

- 1.1 Housing: High temperature thermoplastic with g.f,UL94v-0
- 1.2 Contact: copper alloy,t=0.20mm
- 1.3 Shell: copper alloy,t=0.25mm

2.Specification:

- 2.1 Current rating:1,5PIN 1.8A Max/2,3,4PIN 1A Max.
- 2.2 Dielectric withstanding voltage: 100 V(ac) for 1 min.
- 2.3 Contact resistance: 30 mΩ Max.
- 2.4 Insulation resistance: 100 MΩ Min.
- 2.5 Total mating force: 3.57 Kgf Max.
- 2.6 Total unmating force: 1.0 Kgf Min.
- 2.7 Temperature range: -30°C~80°C

产品图

PRODUCT CHART DWG

公差一览表

TOLERANCE UNLESS OTHERWISE

X.	±0.35	X.	±5.°
.X	±0.20	.X	±2.°
.XX	±0.10	.XX	±1.°
.XXX	±0.05	.XXX	±0.5°



易芯精密科技(浙江)有限公司  
Easychips Precision Technology (Zhejiang) Co.,Ltd.

单位  
UNITS

MM

制图  
DRAWING

制图料号  
PRODUCT PART NO.

B920-ECC52A2021S10111

比例  
SCALE

1:1

审核  
CHKD

产品名称  
PRODUCT NO.

MICRO 5S B型5.9两脚长1.25插板有边有柱SMT  
端子加长0.75加焊脚

日期  
DATE

2016-09-09

核准  
APPD

角法  
VIEW



版本  
VER

A0