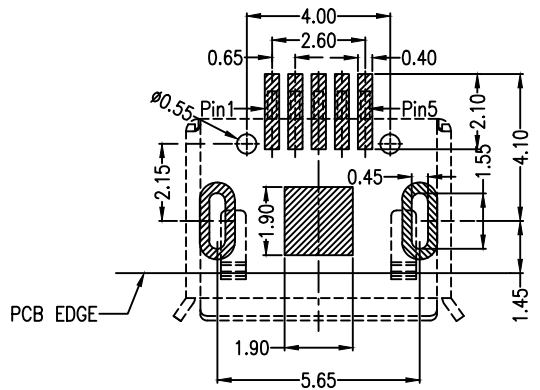
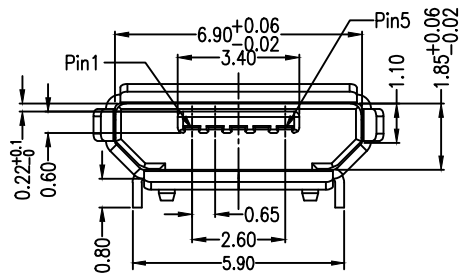
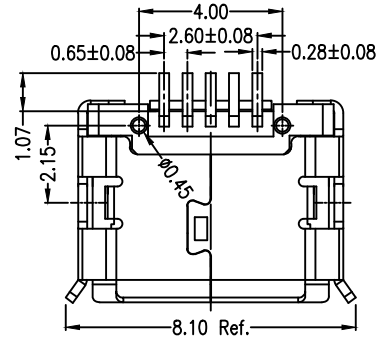
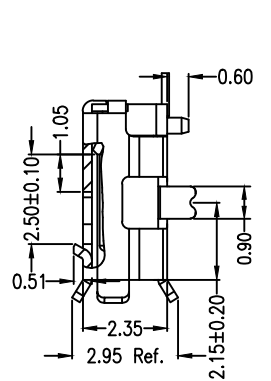
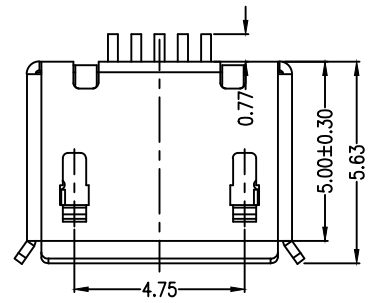
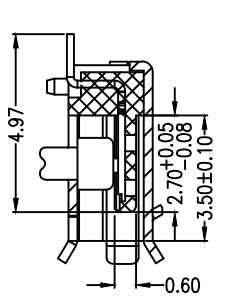
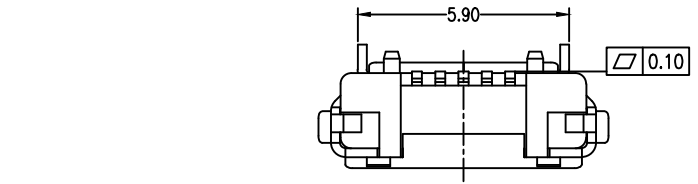


MAPX	MODIFICATION	DATE



RECOMMENDED PCB LAYOUT  
PCB图仅供参考

- Note:
- Material:
    - Housing: High temperature thermoplastic with g.f,UL94v-0
    - Contact: copper alloy,t=0.20mm
    - Shell: copper alloy,t=0.25mm
  - Specification:
    - Current rating:1,5PIN 1.8A Max/2,3,4PIN 1A Max.
    - Dielectric withstanding voltage: 100 V(ac) for 1 min.
    - Contact resistance: 30 mΩ Max.
    - Insulation resistance: 100 MΩ Min.
    - Total mating force: 3.57 Kgf Max.
    - Total unmating force: 1.0 Kgf Min.
    - Temperature range: -30°C~80°C

<b>产品图</b> PRODUCT CHART DWG		<b>易芯精密科技(浙江)有限公司</b> Easychips Precision Technology (Zhejiang) Co., Ltd.			
<b>公差一览表</b> TOLERANCE UNLESS OTHERWISE		单位 UNITS	MM	制图 DRAWING	制料号 PRODUCT PART NO.
X.	±0.30	X.	±5.°	审核 CHKD	产品名称 PRODUCT NO.
.X	±0.25	.X	±2.°		
.XX	±0.20	.XX	±1.°	核准 APPD	角法 VIEW
.XXX	±0.10	.XXX	±0.5°		
		日期 DATE	2019.11.23	版本 VER	A0

B920-ECC52A2021S10116  
MICRO 5S B型5.9两脚插板有边有柱SMT  
端子加长0.75