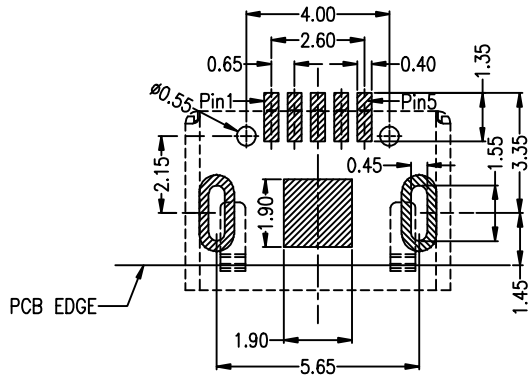
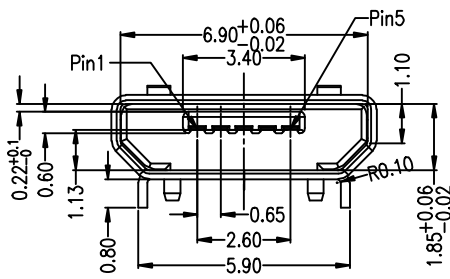
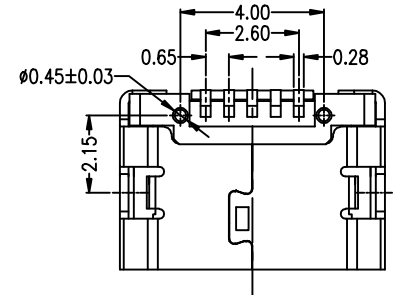
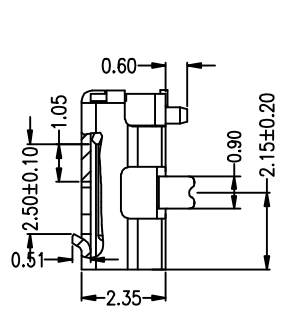
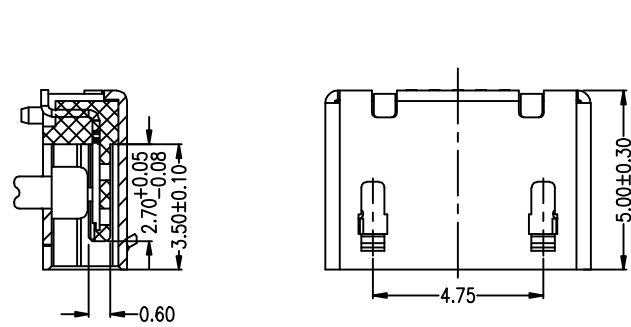
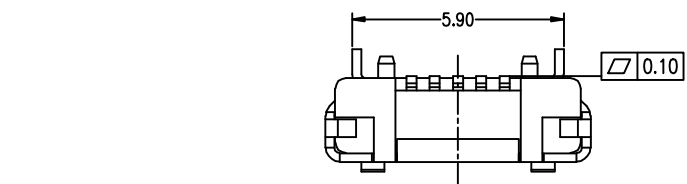


MAPX	MODIFICATION	DATE
------	--------------	------



RECOMMENDED PCB LAYOUT  
PCB图仅供参考

- Note:
- Material:
    - Housing: High temperature thermoplastic with g.f,UL94v-0
    - Contact: copper alloy,t=0.20mm
    - Shell: copper alloy,t=0.25mm
  - Specification:
    - Current rating:1.5PIN 1.8A Max/2,3,4PIN 1A Max.
    - Dielectric withstanding voltage: 100 V(ac) for 1 min.
    - Contact resistance: 30 mΩ Max.
    - Insulation resistance: 100 MΩ Min.
    - Total mating force: 3.57 Kgf Max.
    - Total unmating force: 1.0 Kgf Min.
    - Temperature range: -30°C~80°C

<b>产品图</b> PRODUCT CHART DWG				<b>易芯精密科技(浙江)有限公司</b> Easychips Precision Technology (Zhejiang) Co., Ltd.						
<b>公差一览表</b> TOLERANCE UNLESS OTHERWISE				<b>单位</b> UNITS	MM	<b>制图</b> DRAWING	<b>制图料号</b> PRODUCT PART NO.	B920-ECC62A2021S10100		
X.	±0.30	X.	±5.°	<b>比例</b> SCALE	1:1	<b>审核</b> CHKD	<b>产品名称</b> PRODUCT NAME	MICRO-SS 2.54间距 5.0mm 无边有		
.X	±0.25	.X	±2.°	<b>日期</b> DATE	2019.11.23	<b>核准</b> APPD	<b>角法</b> VIEW		<b>版本</b> VER	A0
.XX	±0.15	.XX	±1.°							
.XXX	±0.10	.XXX	±0.5°							