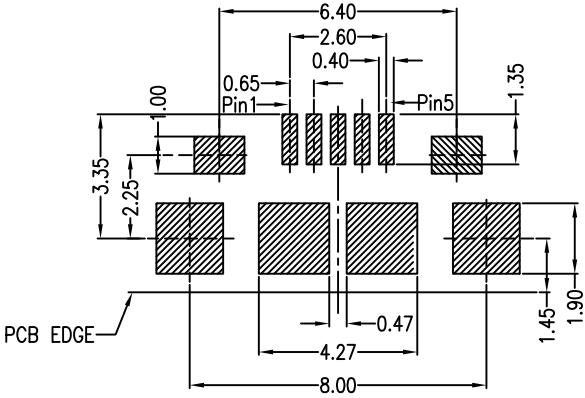
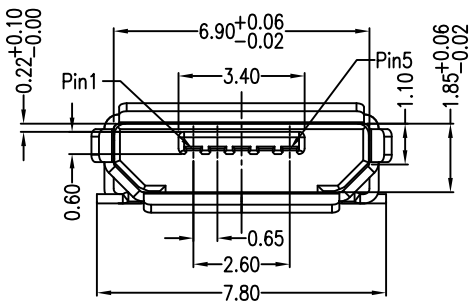
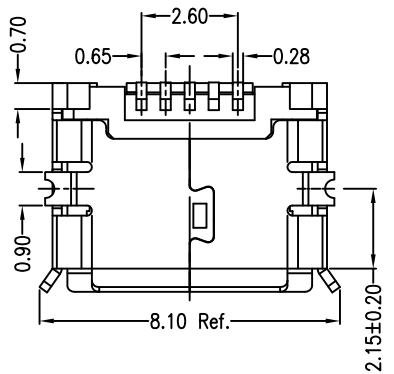
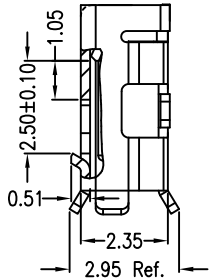
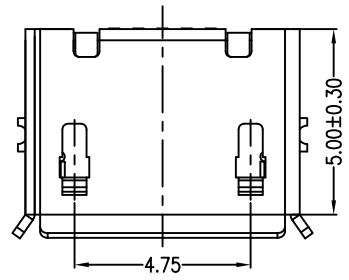
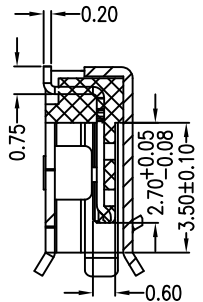
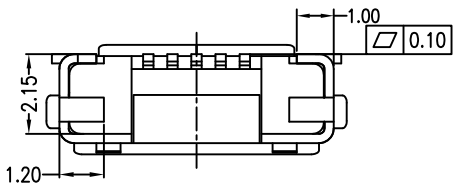


| | | |
|------|--------------|------|
| MAPX | MODIFICATION | DATE |
| | | |

A
B
C
D
E
F
G

A
B
C
D
E
F
G



- Note:
- 1.Material:
- 1.1 Housing: High temperature thermoplastic with g.f,UL94v-0
 - 1.2 Contact: copper alloy,t=0.20mm
 - 1.3 Shell: copper or sus304,t=0.25mm
- 2.Specification:
- 2.1 Current rating:1,5PIN 1.8A Max/2,3,4PIN 1A Max.
 - 2.2 Dielectric withstanding voltage: 100 V(ac) for 1 min.
 - 2.3 Contact resistance: 30 mΩ Max.
 - 2.4 Insulation resistance: 100 MΩ Min.
 - 2.5 Total mating force: 3.57 Kgf Max.
 - 2.6 Total unmating force: 1.0 Kgf Min
 - 2.7 Temperature range: -30°C~80°C

RECOMMANDED PCB LAYOUT PCB图仅供参考

| | | | | | |
|-------------------------------------|-------|---|-------|---------------|---|
| 产品图 PRODUCT CHART DWG | | 易芯精密科技(浙江)有限公司 Easychips Precision Technology (Zhejiang) Co.,Ltd. | | | |
| 公差一览表 TOLERANCE UNLESS OTHERWISE | | 单位 UNITS | MM | 制图 DRAWING | 制图料号 PRODUCT PART NO |
| X. | ±0.30 | X. | ±5.° | | B920-ECD52A2021S10106 |
| .X | ±0.25 | .X | ±2.° | 审核 CHKD | 产品名称 PRODUCT NAME MICRO 5P B型两脚贴板有边无柱加焊脚短端SMT |
| .XX | ±0.15 | .XX | ±1.° | 日期 DATE | 角法 VIEW |
| .XXX | ±0.10 | .XXX | ±0.5° | 日期 DATE | 2021-04-16 核准 APPD 版本 VER AD |

1 2 3 4 5 6 7 8 9 10