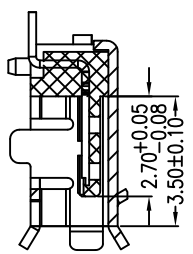
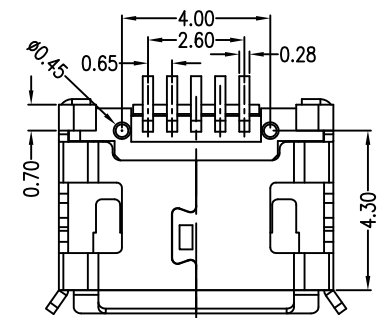
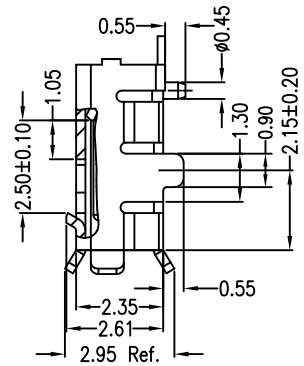
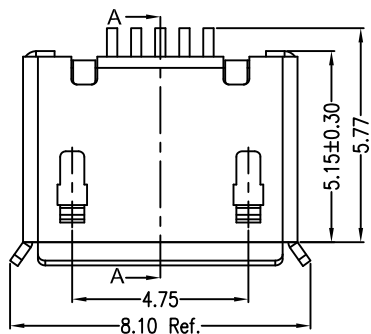
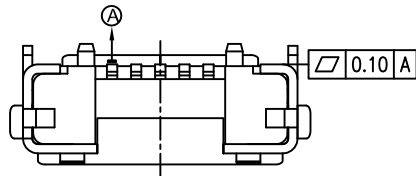
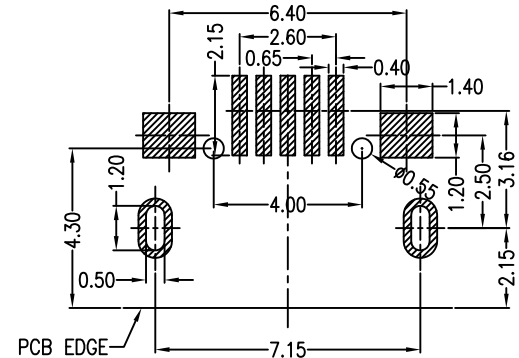
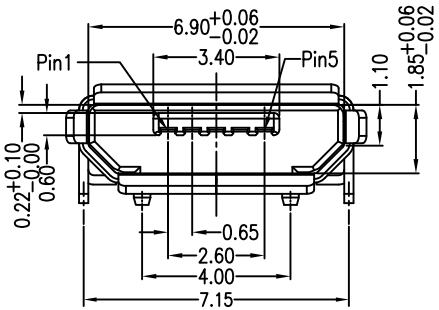


MAPX	MODIFICATION	DATE



SECTION A-A'



RECOMMENDED PCB LAYOUT
PCB图仅供参考

- Note:
- Material:
 - Housing: High temperature thermoplastic with g.f,UL94v-0
 - Contact: copper alloy,t=0.20mm
 - Shell: copper alloy,t=0.25mm
 - Specification:
 - Current rating:1,5PIN 1.8A Max/2,3,4PIN 1A Max.
 - Dielectric withstanding voltage: 100 V(ac) for 1 min.
 - Contact resistance: 30 mΩ Max.
 - Insulation resistance: 100 MΩ Min.
 - Total mating force: 3.57 Kgf Max.
 - Total unmating force: 1.0 Kgf Min.
 - Temperature range: -30°C~80°C

<p>产品图 PRODUCT CHART DWG</p>									
<p>公差一览表 TOLERANCE UNLESS OTHERWISE</p>				<p>易芯精密科技(浙江)有限公司 Easychips Precision Technology (Zhejiang) Co., Ltd.</p>					
X.	±0.30	X.	±5.°	单位	MM	制图	制图料号	B920-ECE52A2021S10102	
.X	±0.25	.X	±2.°	比例	1:1	审核	产品名称	MICRO 5P-F B型两脚DIP7.2有边有柱加焊脚加长0.75SMT	
.XX	±0.15	.XX	±1.°	日期	2021-04-16	核准	角法	版本	AO
.XXX	±0.10	.XXX	±0.5°	DATE		APPD	VIEW	VER	