

MAPX	MODIFICATION	DATE

Note:

1.Material:

1.1 Housing: High temperature thermoplastic with g.f,UL94v-0

1.2 Contact: copper alloy,t=0.15mm

1.3 Shell: copper alloy,t=0.30mm

2.Specification:

2.1 Current rating:1,5PIN 3A Max/2,3,4PIN 1A Max.

2.2 Dielectric withstanding voltage: 100 V(ac) for 1 min.

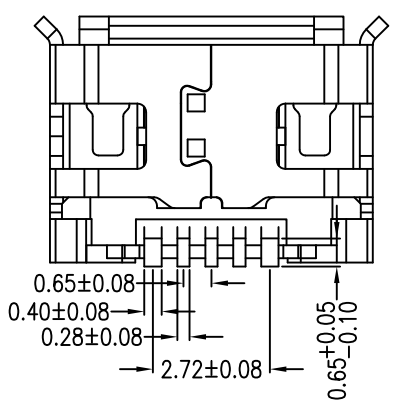
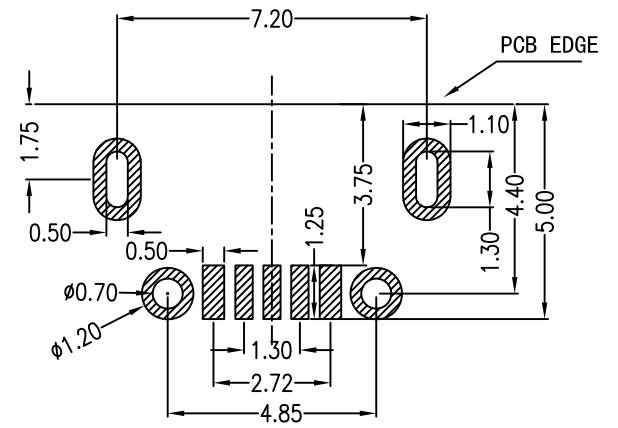
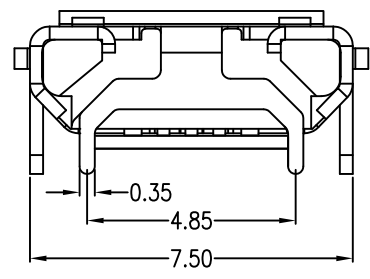
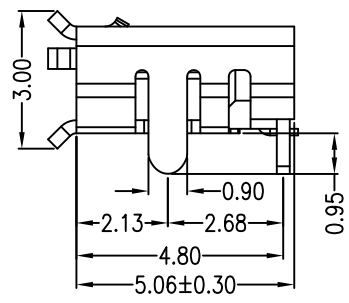
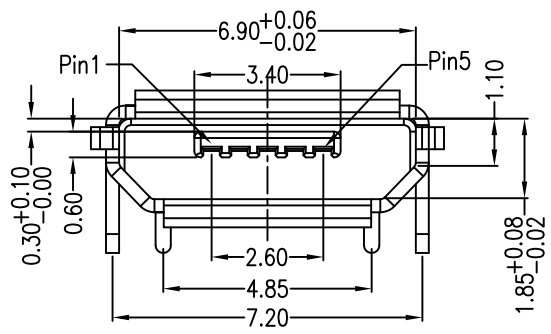
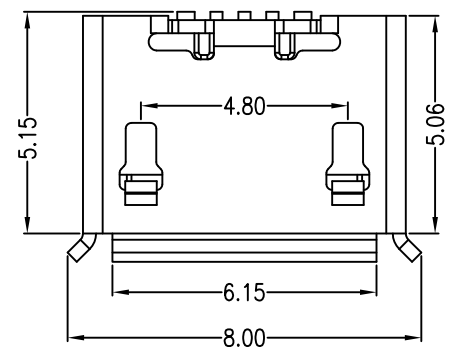
2.3 Contact resistance: 30 mΩ Max.

2.4 Insulation resistance: 100 MΩ Min.

2.5 Total mating force: 3.57 Kgf Max.

2.6 Total unmating force: 1.0 Kgf Min.

2.7 Temperature range: -30°C~80°C



<p>产品图 PRODUCT CHART DWG</p> <p>公差一览表 TOLERANCE UNLESS OTHERWISE</p>				<p>易芯精密科技(浙江)有限公司 Easychips Precision Technology (Zhejiang) Co.,Ltd.</p>					
X.	±0.30	X.	±5.°	单位 UNITS	MM	制图 DRAWING	制图料号 PRODUCT PART NO.	B920-ECE52A2021S10200	
.X	±0.25	.X	±2.°	比例 SCALE	1:1	审核 CHKD	产品名称 PRODUCT NAME	MICRO USB 5P B型四半角型大电流7.2 4.85有边 短端SMT 3A	
.XX	±0.15	.XX	±1.°	日期 DATE	2021-04-16	核准 APPD	角法 VIEW	版本 VER	AD
.XXX	±0.10	.XXX	±0.5°						