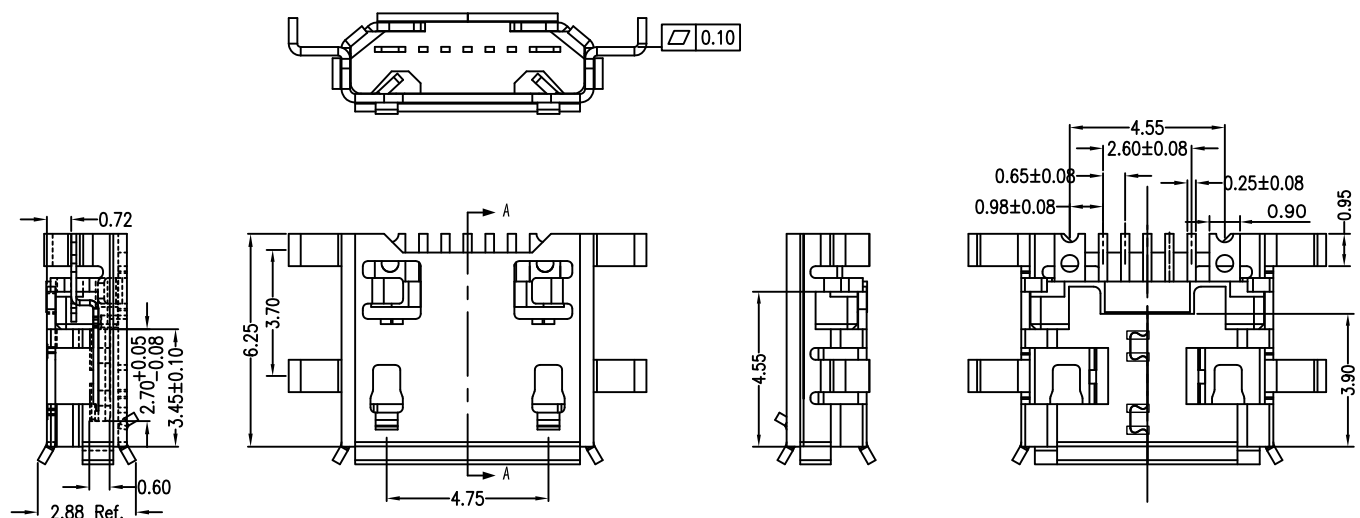
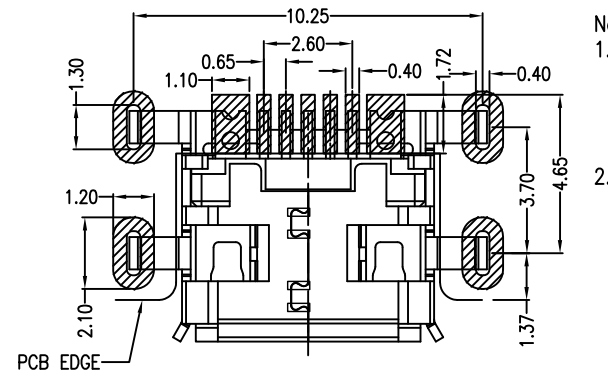
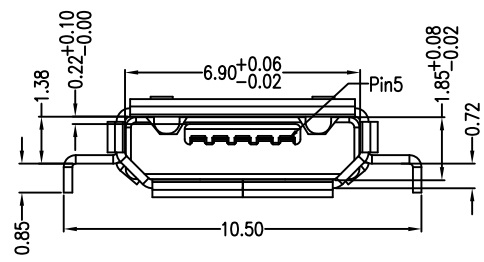


MAPX	MODIFICATION	DATE
------	--------------	------



SEC A-A



RECOMMENDED PCB LAYOUT  
PCB图仅供参考

- Note:
- Material:
    - Housing: High temperature thermoplastic with g.f,UL94v-0
    - Contact: copper alloy,t=0.15mm
    - Shell: copper alloy,t=0.25mm
  - Specification:
    - Current rating:1,5PIN 1.8A Max/2,3,4PIN 1A Max.
    - Dielectric withstanding voltage: 100 V(ac) for 1 min.
    - Contact resistance: 30 mΩ Max.
    - Insulation resistance: 100 MΩ Min.
    - Total mating force: 3.57 Kgf Max.
    - Total unmating force: 1.0 Kgf Min.
    - Temperature range: -30°C~80°C

<b>产品图</b> PRODUCT CHART DWG				<b>易芯精密科技(浙江)有限公司</b> Easychips Precision Technology (Zhejiang) Co., Ltd.			
<b>公差一览表</b> TOLERANCE UNLESS OTHERWISE				单位	MM	制图	制图料号
X.	±0.15	X.	±5.°	UNITS		DRAWING	PRODUCT PART NO.
X	±0.10	.X	±2.°	比例	1:1	审核	产品名称
.XX	±0.05	.XX	±1.°	SCALE		核淮	PRODUCT NO.
.XXX	±0.03	.XXX	±0.5°	日期	2016-09-09	APPD	角法
				DATE			VIEW
							版本
							VER
							A0

1 2 3 4 5 6 7 8 9 10

A  
B  
C  
D  
E  
F  
G

A  
B  
C  
D  
E  
F  
G

1 2 3 4 5 6 7 8 9 10