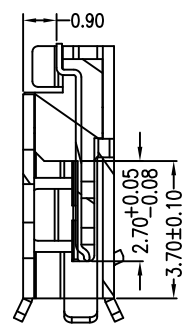
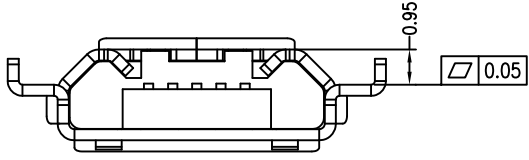
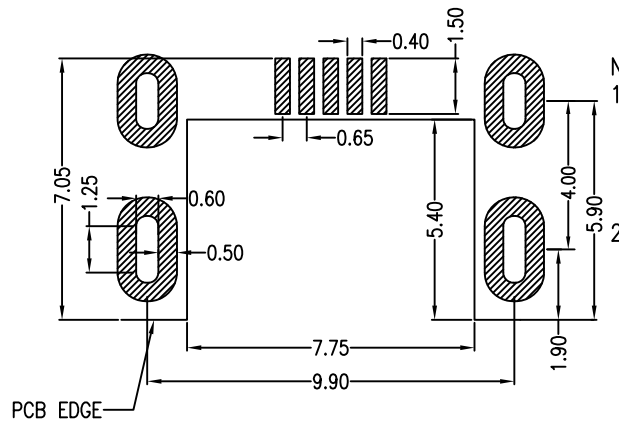
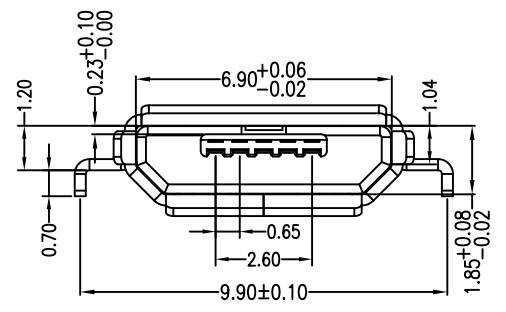
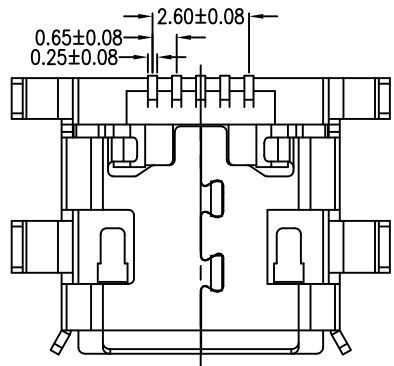
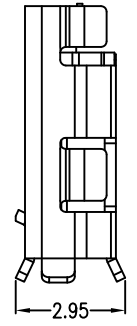
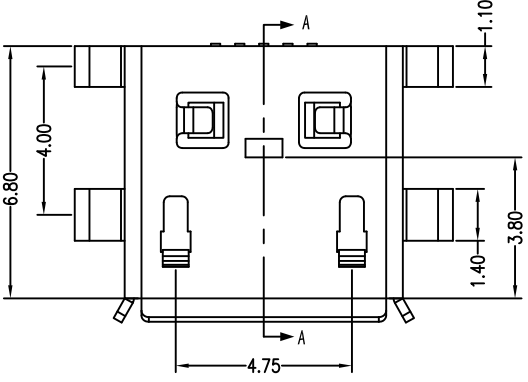


|      |              |      |
|------|--------------|------|
| MAPX | MODIFICATION | DATE |
|      |              |      |



剖面 A-A



RECOMMENDED PCB LAYOUT  
TOLERANCE: ±0.03

PCB图仅供参考

Note:

1.Material:

- 1.1 Housing: High temperature thermoplastic with g.f,UL94v-0
- 1.2 Contact: copper alloy,t=0.15mm
- 1.3 Shell: copper alloy,t=0.30mm

2.Specification:

- 2.1 Current rating:1,5PIN 1.8A Max/2,3,4PIN 1A Max.
- 2.2 Dielectric withstanding voltage: 100 V(ac) for 1 min.
- 2.3 Contact resistance: 30 mΩ Max.
- 2.4 Insulation resistance: 100 MΩ Min.
- 2.5 Total mating force: 3.57 Kgf Max.
- 2.6 Total unmating force: 1.0 Kgf Min.
- 2.7 Temperature range: -30°C~80°C

产品图

PRODUCT CHART DWG

公差一览表

| TOLERANCE UNLESS OTHERWISE |       |      |       |
|----------------------------|-------|------|-------|
| X.                         | ±0.30 | X.   | ±5.°  |
| .X                         | ±0.25 | .X   | ±2.°  |
| .XX                        | ±0.15 | .XX  | ±1.°  |
| .XXX                       | ±0.10 | .XXX | ±0.5° |



易芯精密科技(浙江)有限公司  
Easychips Precision Technology (Zhejiang) Co., Ltd.

|             |              |               |                          |                                |    |
|-------------|--------------|---------------|--------------------------|--------------------------------|----|
| 单位<br>UNITS | MM           | 制图<br>DRAWING | 制图料号<br>PRODUCT PART NO. | B920-ECF52A2021S10106          |    |
| 比例<br>SCALE | 1:1          | 审核<br>CHKD    | 产品名称<br>PRODUCT NO.      | MICRO/5S B型沉板式0.9四脚<br>插板有边SMT |    |
| 日期<br>DATE  | 2019. 11. 23 | 核准<br>APPD    | 角法<br>VIEW               | 版本<br>VER                      | AO |