

性能:

额定电流: 0.5A

额定电压: 50V

耐电压: 500V

接触电阻: $\leq 20\text{m}\Omega$

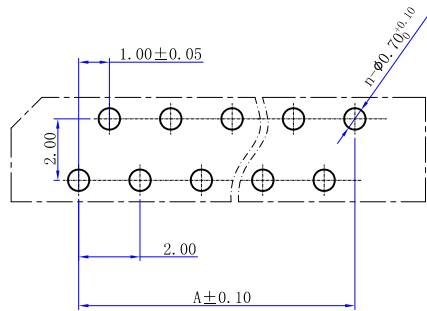
绝缘电阻: $800\text{M}\Omega$

工作温度: $-25^{\circ}\text{C} \sim +85^{\circ}\text{C}$

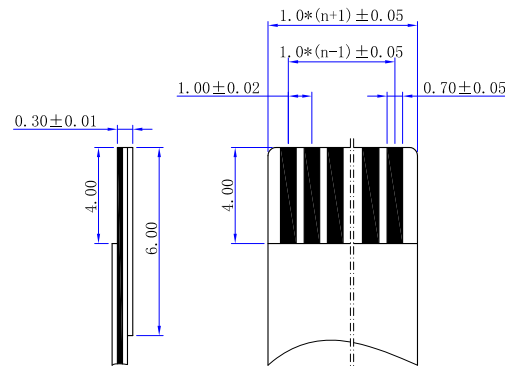
塑件(材质): PA46, UL94V-0

插簧(材质): 磷青铜, 镀锡

孔位	A	B	C
4	3.00	5.10	7.50
5	4.00	6.10	8.50
6	5.00	7.10	9.50
7	6.00	8.10	10.50
8	7.00	9.10	11.50
9	8.00	10.10	12.50
10	9.00	11.10	13.50
11	10.00	12.10	14.50
12	11.00	13.10	15.50
13	12.00	14.10	16.50
14	13.00	15.10	17.50
15	14.00	16.10	18.50
16	15.00	17.10	19.50
17	16.00	18.10	20.50
18	17.00	19.10	21.50
19	18.00	20.10	22.50
20	19.00	21.10	23.50
21	20.00	22.10	24.50
22	21.00	23.10	25.50
23	22.00	24.10	26.50
24	23.00	25.10	27.50
25	24.00	26.10	28.50
26	25.00	27.10	29.50
27	26.00	28.10	30.50
28	27.00	29.10	31.50
29	28.00	30.10	32.50
30	29.00	31.10	33.50
31	30.00	32.10	34.50
32	31.00	33.10	35.50
33	32.00	34.10	36.50
34	33.00	35.10	37.50
35	34.00	36.10	38.50
36	35.00	37.10	39.50
37	36.00	38.10	40.50
38	37.00	39.10	41.50
39	38.00	40.10	42.50
40	39.00	41.10	43.50



安装开孔
未注公差: $\pm 0.05\text{mm}$



适用扁平电缆

UNITS mm		易芯精密科技(浙江)有限公司	
MAT'L		Easychips Precision Technology (Zhejiang) Co., Ltd.	
FINISH	PART NO.(INTENDED USE) EC-1.0-A-nP	TITLE: 1.0单面接直插	
Q'TY	APPD:	DWG NO.: EC-1.0-A-nP	
.X ± 0.3	.X° ± 5°	CHKD:	
.XX ± 0.25	.XX° ± 2°	DR: HU 2016.09.25	
.XX ± 0.20	.XX° ± 1°	SCALE	1/1
.XXX ± 0.10	.XXX° ± 0.5°	SHEET	1/1
		REV.	A