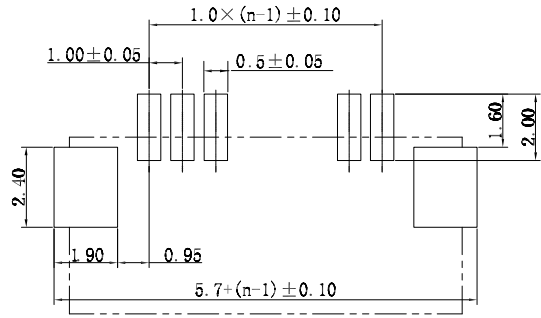
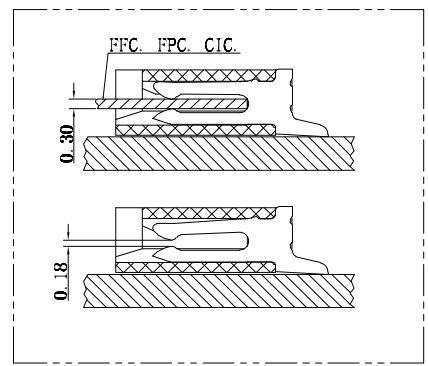


NO. of Contacts (n)	Dimensions		
	A	B	C
004	3.0	5.07	7.8
005	4.0	6.07	8.8
006	5.0	7.07	9.8
007	6.0	8.07	10.8
008	7.0	9.07	11.8
009	8.0	10.07	12.8
010	9.0	11.07	13.8
011	10.0	12.07	14.8
012	11.0	13.07	15.8
013	12.0	14.07	16.8
014	13.0	15.07	17.8
015	14.0	16.07	18.8
016	15.0	17.07	19.8
017	16.0	18.07	20.8
018	17.0	19.07	21.8
019	18.0	20.07	22.8
020	19.0	21.07	23.8
021	20.0	22.07	24.8
022	21.0	23.07	25.8
023	22.0	24.07	26.8
024	23.0	25.07	27.8
025	24.0	26.07	28.8
026	25.0	27.07	29.8
027	26.0	28.07	30.8
028	27.0	29.07	31.8
029	28.0	30.07	32.8
030	29.0	31.07	33.8
031	30.0	32.07	34.8
032	31.0	33.07	35.8



PC BOARD LAYOUT

Electronic1:
 Voltage: 50V AC(rms)/DC
 Current: 1A AC(rms)/DC
 Contact Resistance: 40 mΩ max (initial)
 Dielectric Withstanding Voltage: 200V AC/rms
 Insulation Resistance: 800MΩ min
 Operating Temp: -40°C~+85°C
 Main body(Material) LCP, UL94V-0
 Contact: Phosphor Bronze, Tin (Lead Free) over Nickel
 LEG: Phosphor Bronze, Tin (Lead Free) over Nickel

UNITS mm	 易芯精密科技(浙江)有限公司 Easychips Precision Technology (Zhejiang) Co., Ltd.	PART NO.(INTENDED USE) EC-1.0-CB-nPWB	TITLE: 1.0双面贴片带焊片 (H2.0)
MAT'L		APPD:	DWG NO.:
FINISH	CHKD:	EC-1.0-CB-nPWB	
Q'TY PCS	DR: HU 2016.09.28	SCALE 1/1	SHEET 1/1
		REV. A	

X.± 0.3	X°± 5°
.X± 0.25	.X°± 2°
.XX± 0.20	.XX°± 1°
.XXX± 0.10	.XXX°± 0.5°