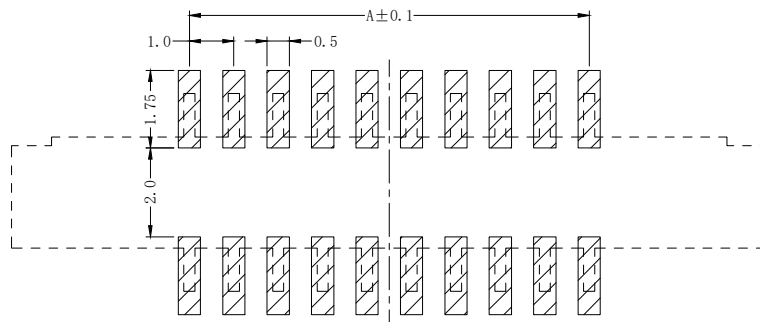
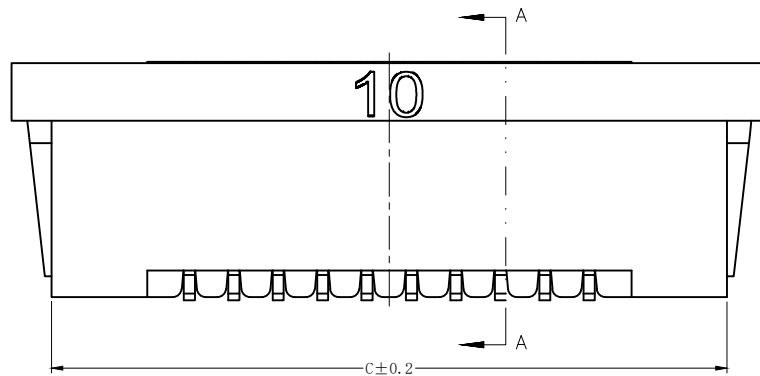
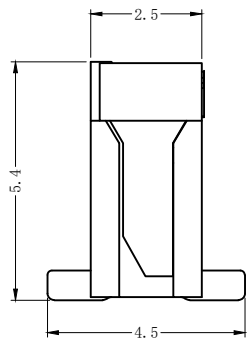
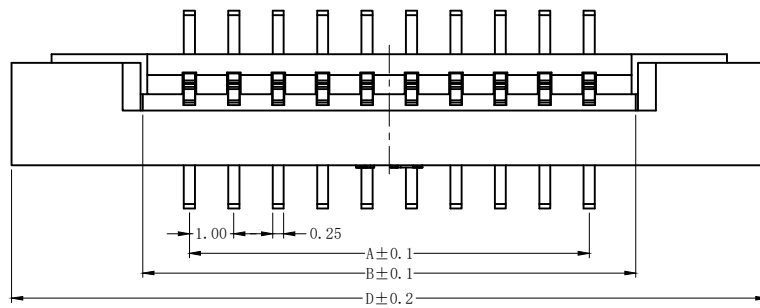


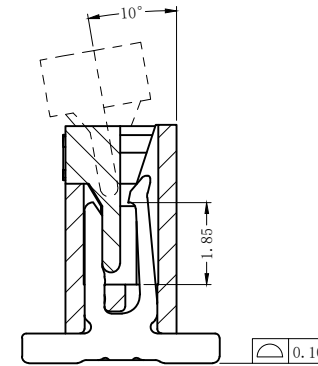
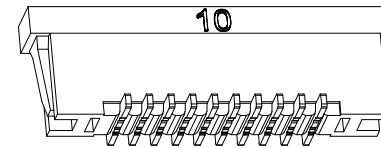
REV.	ECN NO.	LOCAS.	DESCRIPTION	DATE	DESIGN
A			NEW DRAWING	22.12.01	Jenply



PCB LAYOUT

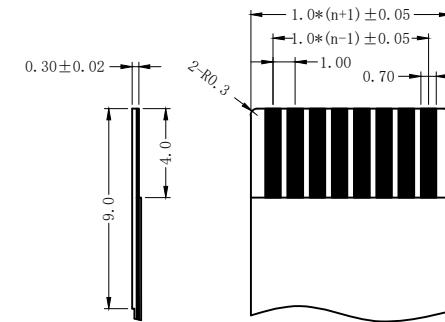
技术要求 (Technical Index):

1. 材质与表面处理 (Material And Finish):
 基座 (Housing) and 盖子 (Cover): LCP UL94V-0 Nature Or Black;
 端子 (Terminal): Phosphor Copper Au/Sn Plated;
 焊片 (Solder): Copper Alloy Au/Sn Plated;
2. 工作温度 (Temperature range): $-25^{\circ}\text{C} \sim +85^{\circ}\text{C}$.
3. 额定电压 (Rated voltage): 50V, AC/DC.
4. 额定电流: 0.5A, AC/DC.
5. 接触电阻 (Contact resistance): $\leq 20\text{m}\Omega$.
6. 绝缘电阻 (Insulation resistance): $\geq 800\text{M}\Omega$.
7. 耐电压 (Withstanding Voltage): 500V AC/minute.



SECTION A-A

孔位	A	B	C	D
6	5	7.15	11.20	13.10
8	7	9.15	13.20	15.10
10	9	11.15	15.20	17.10
12	11	13.15	17.20	19.10
14	13	15.15	19.20	21.10
15	14	16.15	20.20	22.10
16	15	17.15	21.20	23.10
18	17	19.15	23.20	25.10
20	19	21.15	25.20	27.10
22	21	23.15	27.20	29.10
24	23	25.15	29.20	31.10
25	24	26.15	30.20	32.10
26	25	27.15	31.20	33.10
28	27	29.15	33.20	35.10
29	28	30.15	34.20	36.10
30	29	31.15	35.20	37.10



PROPER CABLE (SCALE 2:1)

DESIGN:								
CHECK:					TITLE: 1.0mm FPC (G型) 立贴式一字型			
APPROVED:					PART NO. EC-1.0K-GT-nPB			
DIM	TOL	DIM	TOL	REV.	SCALE:	N/A	UNIT:	SHEET:
X.	±0.25	X°	±3.0°	A			mm	1/1
X.X	±0.20	X.X°						
X.XX	±0.15	X.XX°						
X.XXX		X.XXX°						