

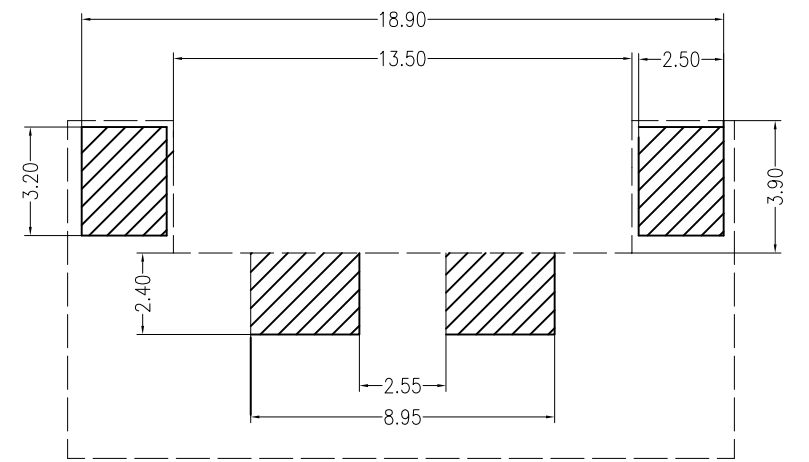
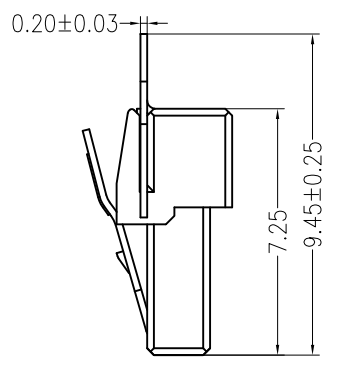
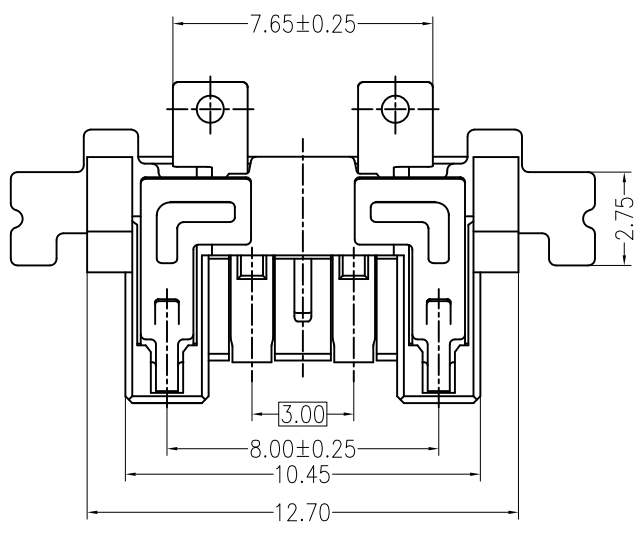
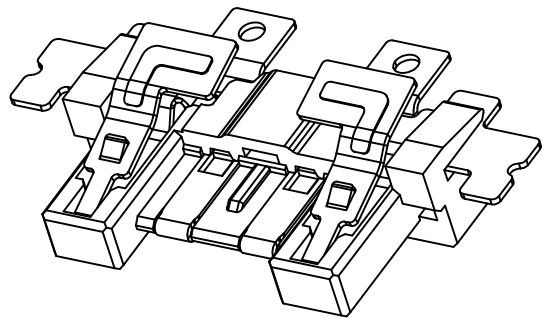
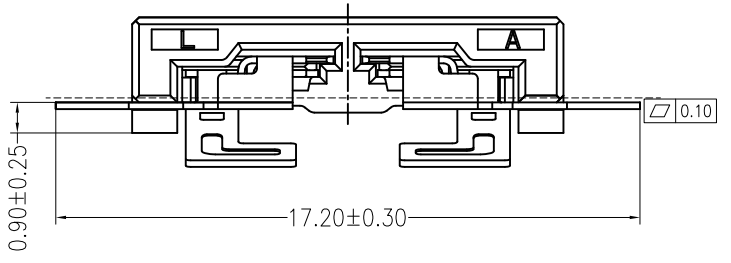
REV	DESCRIPTION	DESIGN	DATE
A	NEW RELEASE	FangSongLe	2020/09/05

Specifications:

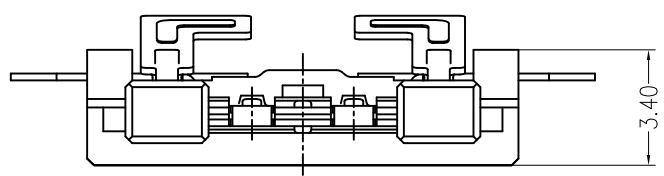
Contact resistance: $\leq 30m\Omega$
 Insulation resistance: $\geq 1000M\Omega$
 Rated voltage: 200V AC DC
 Rated current: 1.0A AC DC
 Withstand Voltage: 1000V AC/minute
 Temperature Range: $-25^{\circ}C \sim +105^{\circ}C$
 Housing: LCP UL94V-0, BEIGE
 Contacts: PhosphorBronze/MATTE Sn

ORDER INFORMATION:

B3002G-02-F3MB1-R			
PART No.		PACKAGING:	R=REEL
No.OF CIRCUITS:	02	Metal code:	1=PhosphorBronze
PLASTIC MATERIAL:	F3M=LCP (BEIGE)	PLATING:	B=MATTE Sn



P. C. B LAYOUT



		TITLE:		3.0mm Pitch BTB SMT TYPE	
		PART NO.:		EC-B-3002-BB-I-R	
GENERAL TOLERANCE		USE:		PART NO.:	
X. ±0.50	X. ±5°	CUSTOMER		DWG NO.:	
X.X ±0.30	X.X ±2°	APPD:		SCALE	
X.XX ±0.20	X.XX ±1°	CHKD:		1 : 1	
UNITS: mm		DR:		SHEET	
				1 / 1	