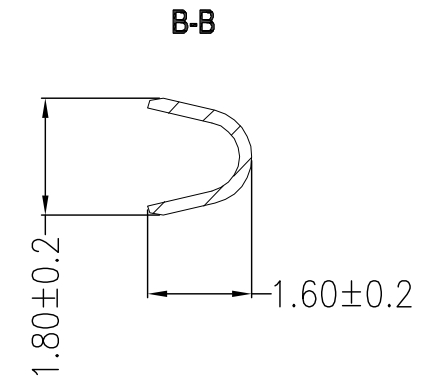
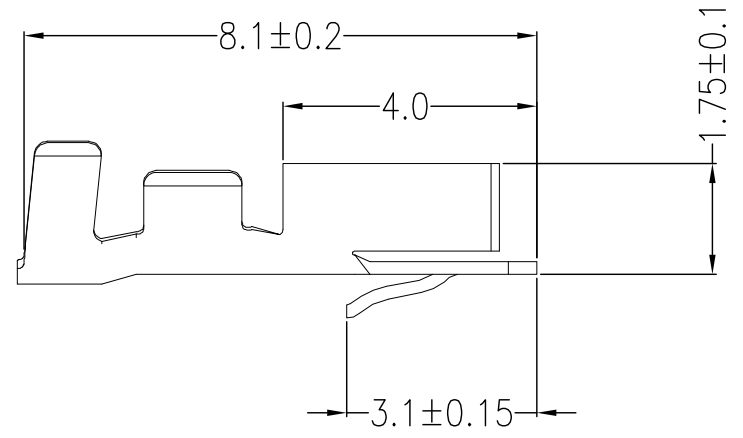
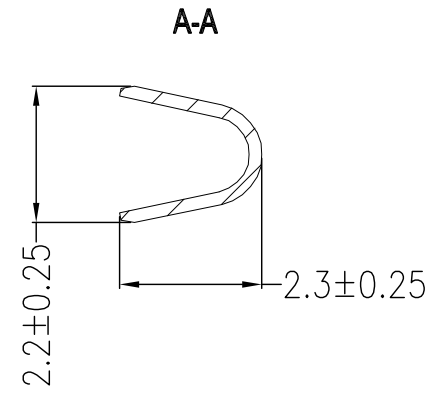
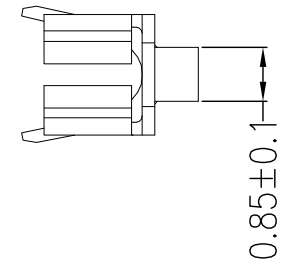
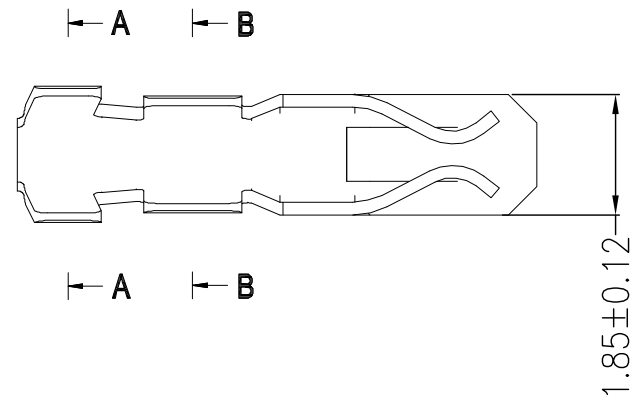


REV	DESCRIPTION	DESIGN	DATE
A0	NEW RELEASE		2016/05/20



Ordering Information & Specification:

Part No	Wire Range	Insulation O. D.	Material	Finish	Qty/Reel
C2507PT	AWG #28~#22	1.0~1.8mm	Phosphor bronze	Sn-plated	

		易芯精密科技(浙江)有限公司 Easychips Precision Technology (Zhejiang) Co., Ltd.		TITLE: -	
GENERAL TOLERANCE		USE: CUSTOMER		PART NO.: EC-C-25**-WW-A-R	
X. ±0.50	X. ±5°	APPD:		DWG NO.:	
X.X ±0.30	X.X ±2°	CHKD:		SCALE	
X.XX ±0.20	X.XX ±1°	DR:		1 : 1	
UNITS: mm				SHEET 1 / 1	