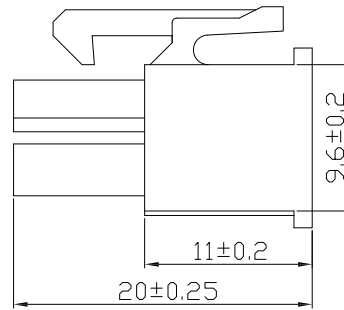
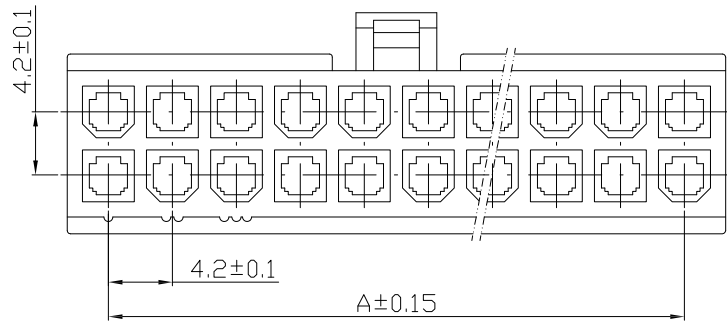
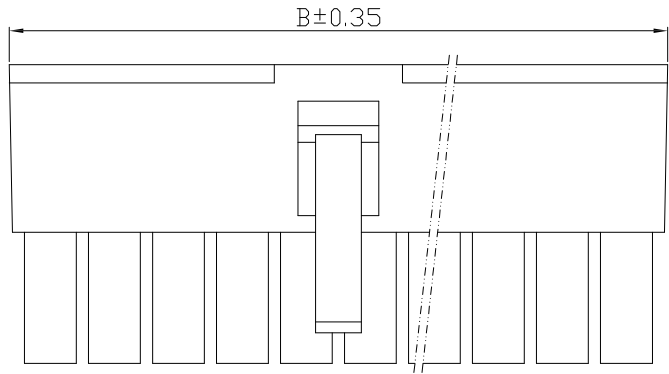


| REV | ECN No. | DESCRIPTION | DESIGN | DATE |
|-----|---------|-------------|--------|------------|
| A0 | | Release | 蒋建银 | 2018.03.06 |

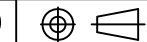


主要技术参数 Main Specifications

线数 (Poles): 02 to 24
 接触电阻 (Contact resistance): $\leq 20\text{m}\Omega$
 绝缘电阻 (Insulation resistance): $\geq 1000\text{M}\Omega$
 额定电压 (Rated voltage): 300 V AC DC
 额定电流 (Rated current): 9.0A AC DC
 耐电压 (Withstand Voltage): 1500V AC/minute
 温度范围 (Temperature Range): $-25^{\circ}\text{C} \sim +85^{\circ}\text{C}$

| Circuits | Dimensions (mm) | | Circuits | Dimensions (mm) | |
|----------|-----------------|-------|----------|-----------------|-------|
| | A | B | | A | B |
| 201 | | 5.60 | 207 | 25.20 | 30.80 |
| 202 | 4.20 | 9.80 | 208 | 29.40 | 35.00 |
| 203 | 8.40 | 14.00 | 209 | 33.60 | 39.20 |
| 204 | 12.60 | 18.20 | 210 | 37.80 | 43.40 |
| 205 | 16.80 | 22.40 | 211 | 42.00 | 47.60 |
| 206 | 21.00 | 26.60 | 212 | 46.20 | 51.80 |

| C | | | | |
|--|-----------|-------|----------|---------------------------|
| B | CONTACT | | | |
| A | HOUSING | 1 PCS | PA66 | COLOR:Transparent,UL94-V2 |
| ITEM | COMPONENT | Q'TY | MATERIAL | FINISH |
| 易芯精密科技(浙江)有限公司 Easychips Precision Technology (Zhejiang) Co., Ltd. | | | | |
| TITLE: C4201P | | | | 4.2mmPITCH Housing |
| PART NO.: | | | | EC-C-42**-WW-A-R |
| DWG NO.: | | | | |
| SCALE | | | 1 : 1 | SHEET |
| | | | | 1 / 1 |



UNITS: mm

DR:

USE:

APPD:

CHKD: