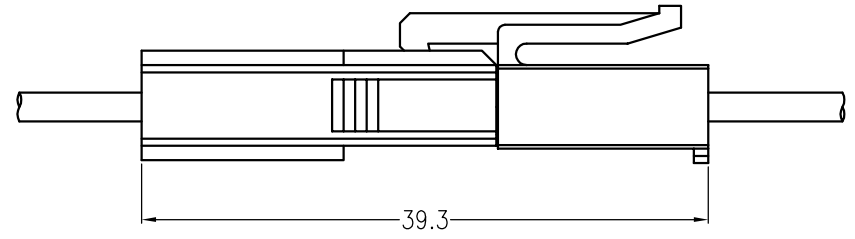
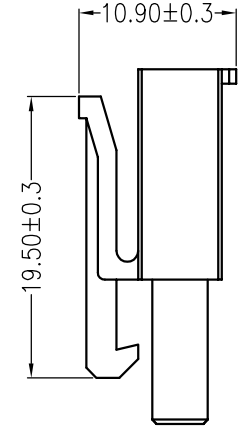
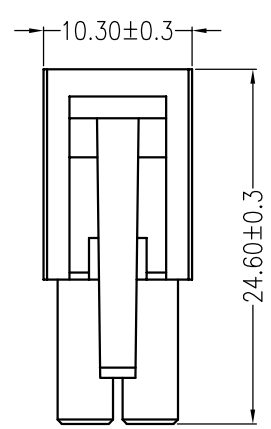
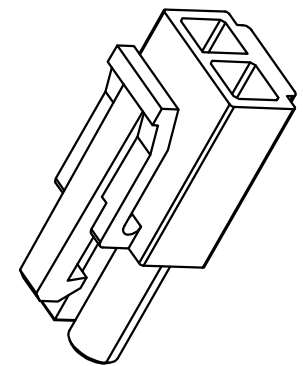
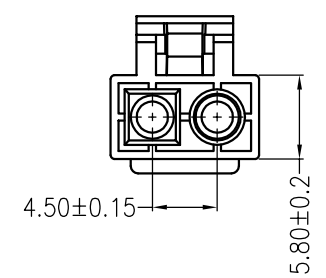


REV	ECN No.	DESCRIPTION	DESIGN	DATE
A0		NEW RELEASE	蒋建银	2018.01.23



主要技术参数 Main Specifications

- 线数 (Poles): 02 to 08
- 额定电阻 (Contact resistance): $\leq 20m\Omega$
- 绝缘电阻 (Insulation resistance): $\geq 1000M\Omega$
- 额定电压 (Rated voltage): 300 V AC DC
- 额定电流 (Rated current): 10A AC DC
- 耐电压 (Withstand Voltage): 1500V AC/minute
- 温度范围 (Temperature Range): $-25^{\circ}C \sim +85^{\circ}C$



C				
B				
A	HOUSING	1 PCS	PA66	COLOR:(BEIGE) UL94-V2
ITEM	COMPONENT	Q'TY	MATERIAL	FINISH

易芯精密科技(浙江)有限公司
Easychips Precision Technology (Zhejiang) Co., Ltd.

TITLE: C4501P
4.0mm PITCH HOUSING

X.±0.5	X.±5'	USE: CUSTOMER	PART NO.:
.X±0.3	.X±2'		
.XX±0.25	.XX±1'	CHKD:	DWG NO.:
--	--	DR:	
	UNITS: mm		SCALE 1 : 1

EC-C-45** -WW-A-R	
SHEET	1 / 1