

| | |
|---------|----------------|
| PRODUCT | MO. |
| EGDTH03 | RoES compliant |

| | | | |
|------|--------|-----|------|
| REV. | EN NO. | DR. | DATE |
| | | | |

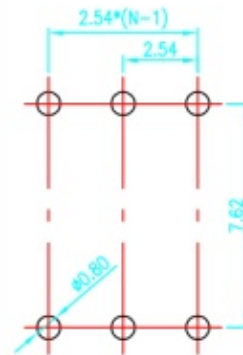
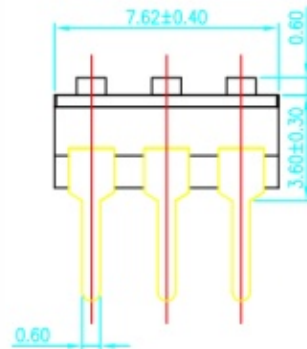
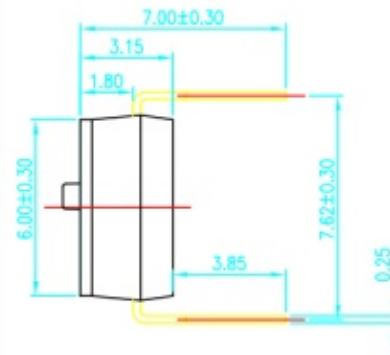
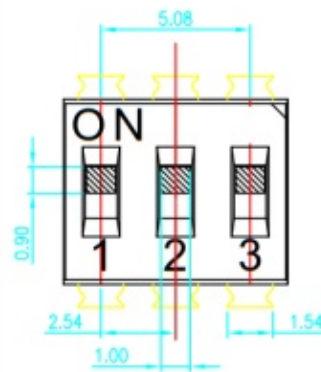
NOTES :

1.Specification:

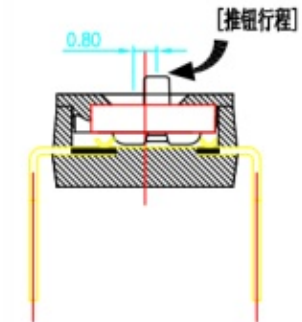
- 1>.Operating force:1000gf Max
- 2>.Operoting Temperature:-30°to+85'
- 3>.Storage Temperature::-40°to+85*
- 4>.Mechanical Life:3000cycles minimum

2.PLATING:

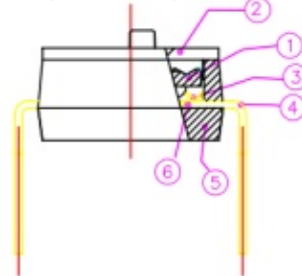
**GOLD FLASH 1u"(min.)SOLDERTAIL
3u"GOLD PLATING ON THE CONTACT AREA,
WITH 50u"NICKEL UNDERPLATINGOVERALL.**



[Schematic]



(Construction)



RBO0MTENDED P.C.B.LAYOUT(TOP VIEW)

| Number | Part Name | Material | Finished | TOLERANCE UNLESS OTHERWISE SPECIFIED | | INSPECTION COPY | Easychips Precision Technology Co., Ltd |
|--------|------------------|--------------|----------|--------------------------------------|---------|-----------------|---|
| | | | | UNER | ANGLES | | |
| ① | Actuator | UL94 V0 | White | 0 ±0.25 | 0.±2 | PROUCTION | TITLE |
| ② | Cover | UL94 V0 | Black | .00±0.15 | .0 ± 1 | | BY DTH SERIES PITCH 2.54mm |
| ③ | Movable | Copper Alloy | 3u"Gold | 000±0.10 | .0010.5 | | PRODUCT FAMILY DTH SEAS |
| ④ | Terminal | Brass | 1u"Cold | | | PRAT NO. | EGDTH03 |
| ⑤ | | | | | | | |
| ⑥ | Terminal Contact | Brass | 3u"Gold | | | | |

| | | | |
|----|----|------|--------|
| A4 | mm | 10F1 | REV. A |
|----|----|------|--------|