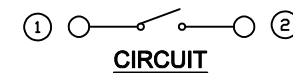
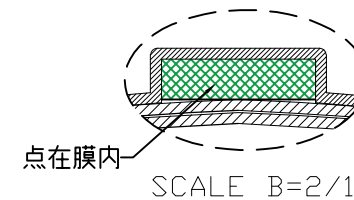
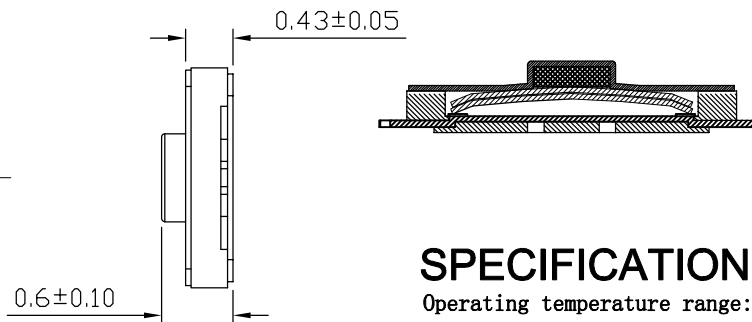
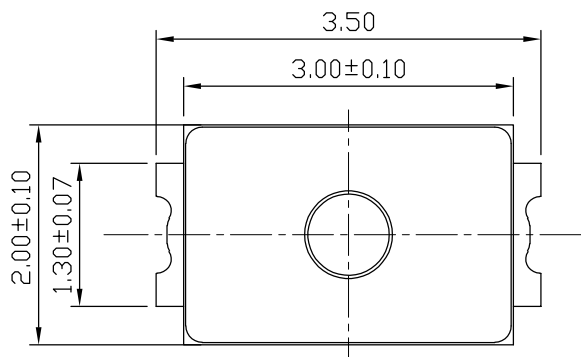


P.C.B LAYOUT



CIRCUIT



SPECIFICATIONS:

Operating temperature range: -30°C to +85°C
 Rating: 50mA, 12V DC Max
 Insulation resistance: 100MΩ min, 100V DC
 Dielectric strength: 100V AC for 1min
 Contact resistance: 100mΩ Max
 Life: 100,000 Cycles
 Travel: 0.18 ± 0.05mm
 Operating force: 180 ± 50gf

TOLERANCE				DESIGN	DATE	TITLE	Tact Switch	
UNLESS OTHERWISE STATED				WYJ	2017. 10. 19			
X.X	±0.20	SIZE	A4	CHKD	DATE	MODEL	ECTAF03-BYC-R	
X.XX	±0.15	REV	A					
X.XXX	±0.10	UNIT	mm	APPD	DATE	SHEET	1/3	
∠	±2°	SCALE	15:1			PRINT DATE	2023.12.29	