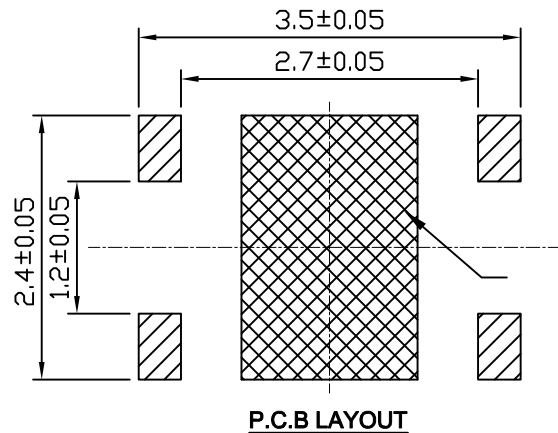
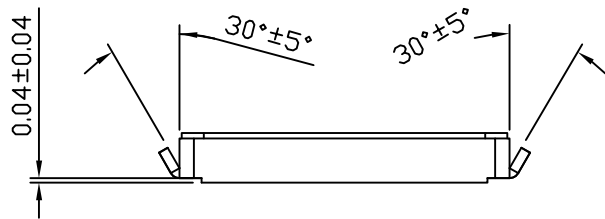
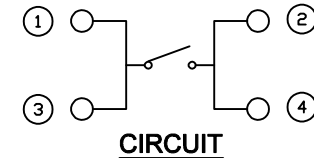
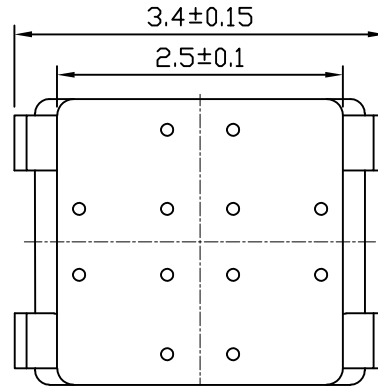
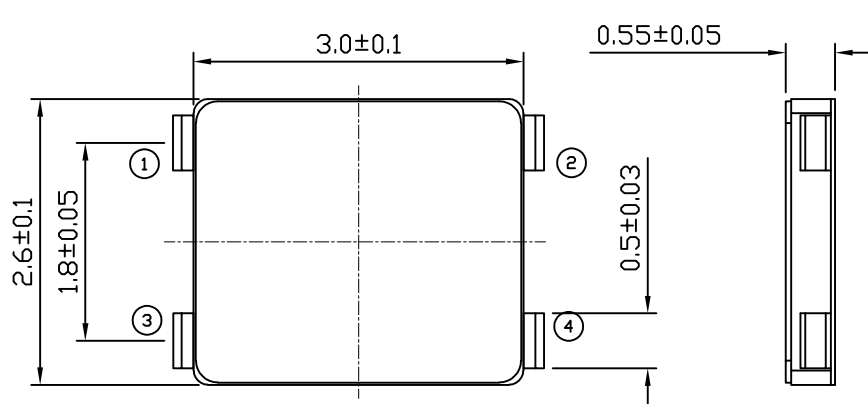


1 2 3 4 5 6 7 8 9 10

A
B
C
D
E
F
G
H



SPECIFICATIONS:

Operating temperature range: -30°C to +85°C
 Rating: Max 50 mA 12V DC
 Insulation resistance: 100MΩ min. 100V DC
 Dielectric strength: 100V. AC. 1Min
 Contact resistance: 100mΩ Max
 Life: 100,000 Cycles
 Travel: 0.15±0.05mm
 Operating force: 180±50gf

TOLERANCE				DESIGN	DATE	TITLE	Tact Switch	
UNLESS OTHERWISE STATED				WYJ	2024. 03. 22			
X.X	±0.20	SIZE	A4	CHKD	DATE	MODEL	ECTAF06-N	
X.XX	±0.15	REV	A	APPD	DATE	SHEET	1/3	
X.XXX	±0.10	UNIT	mm			PRINT DATE	2024.04.09	
∠	±2°	SCALE	15:1					