

A

B

C

D

E

1

2

3

4

5

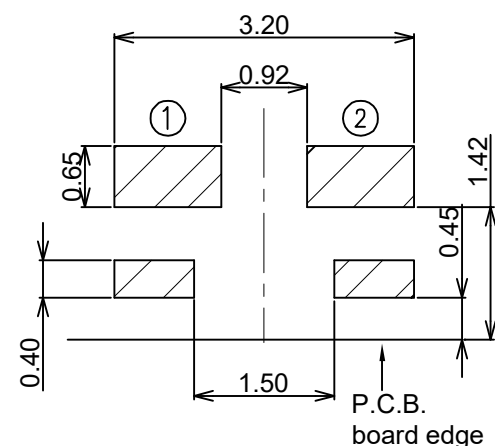
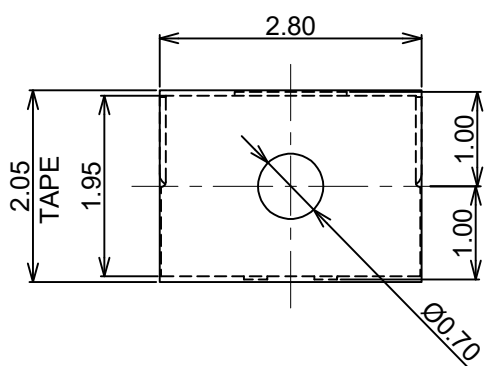
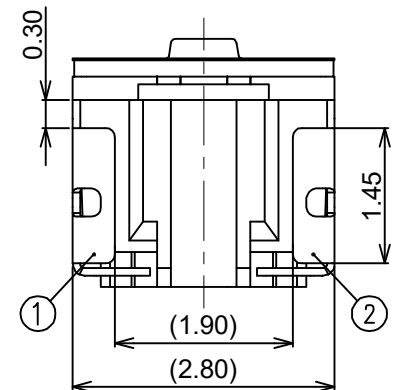
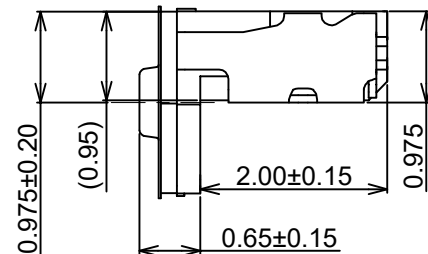
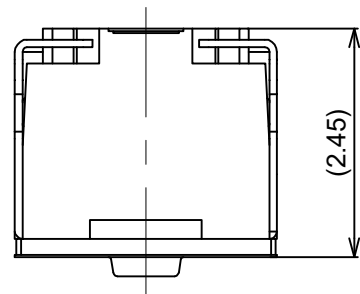
1

2

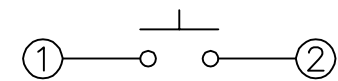
3

4

5

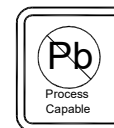


P.C.B. Layout (Tolerances ±0.05mm)



Circuit Diagram

G-Switch Specification:
 OPERATING FORCE: 160 ± 50gf
 Travel: 0.13 ± 0.05mm
 Operating temperature range: -40°C to +85°C
 Rating: 50mA, 12V DC
 Insulation resistance: 100MΩ min. 100V DC
 Dielectric strength: 250V AC for 1 min
 Contact resistance: 100mΩ max.
 LIFE: 300,000 cycles



易芯精密科技(浙江)有限公司
 Easychips Precision Technology (Zhejiang) Co., Ltd.

RoHS

Unless otherwise specified, Tolerance:
 X. ±0.30
 X.x ±0.20
 X.xx ±0.15
 X.xxx ±0.10
 Angles ±3°

DESIGN Dome	DATE 2022.09.20
CHECKED	DATE
APPROVED	DATE

Molde code:		
ECTAM15		
REV.: X1	SCALE: 4:1	UNIT: mm
SIZE: A4	SHEET: 1/1	