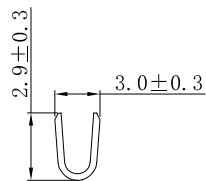
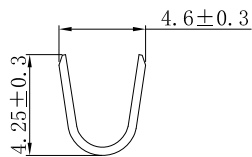
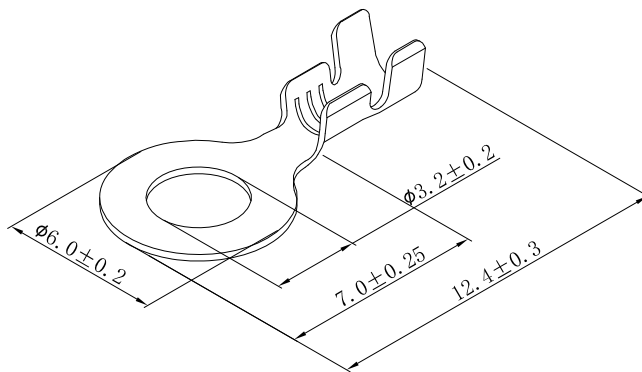
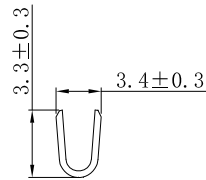
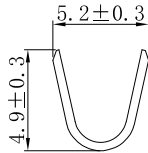
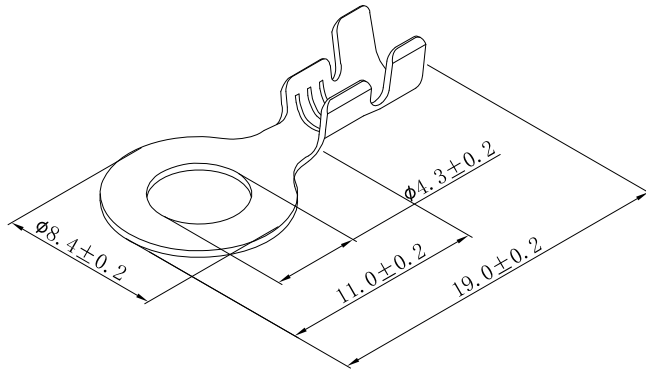


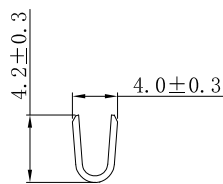
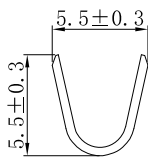
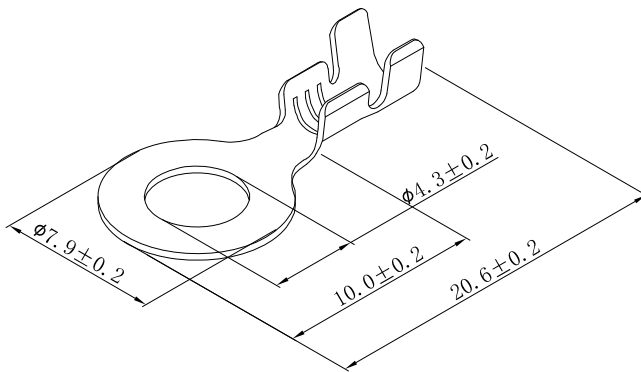
Brass	Tin-plated	22-24# AWG	2.10mmMAX	0.25mm
Material	Finish(Pin)	Wire Range	Insulation O.D.	Thickness



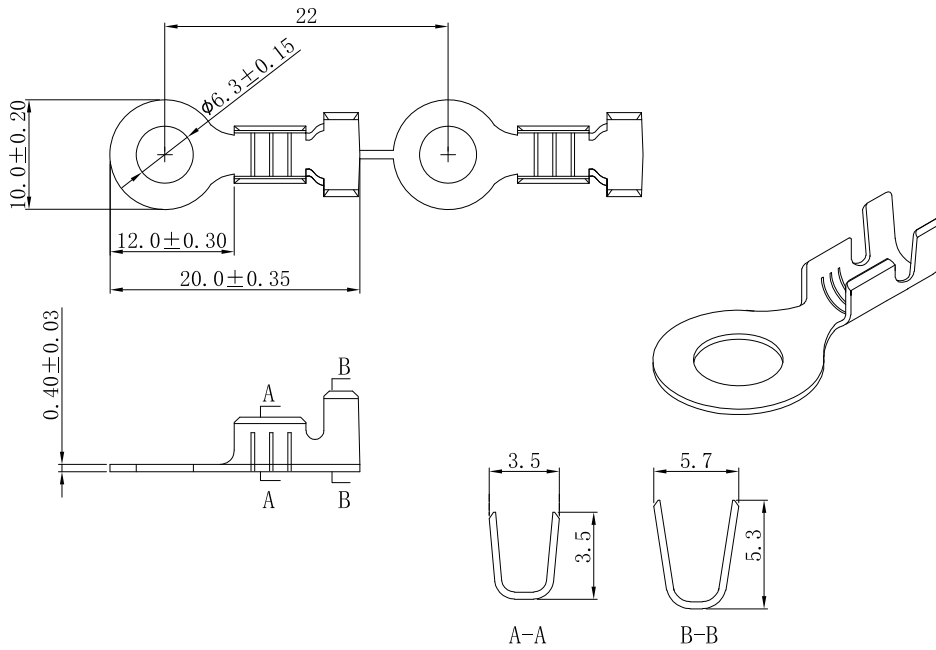
Brass	Tin-plated/ Fog tin plated	16AWG-18AWG	3.10mmMAX	0.35mm
Material	Finish(Pin)	Wire Range	Insulation O.D.	Thickness



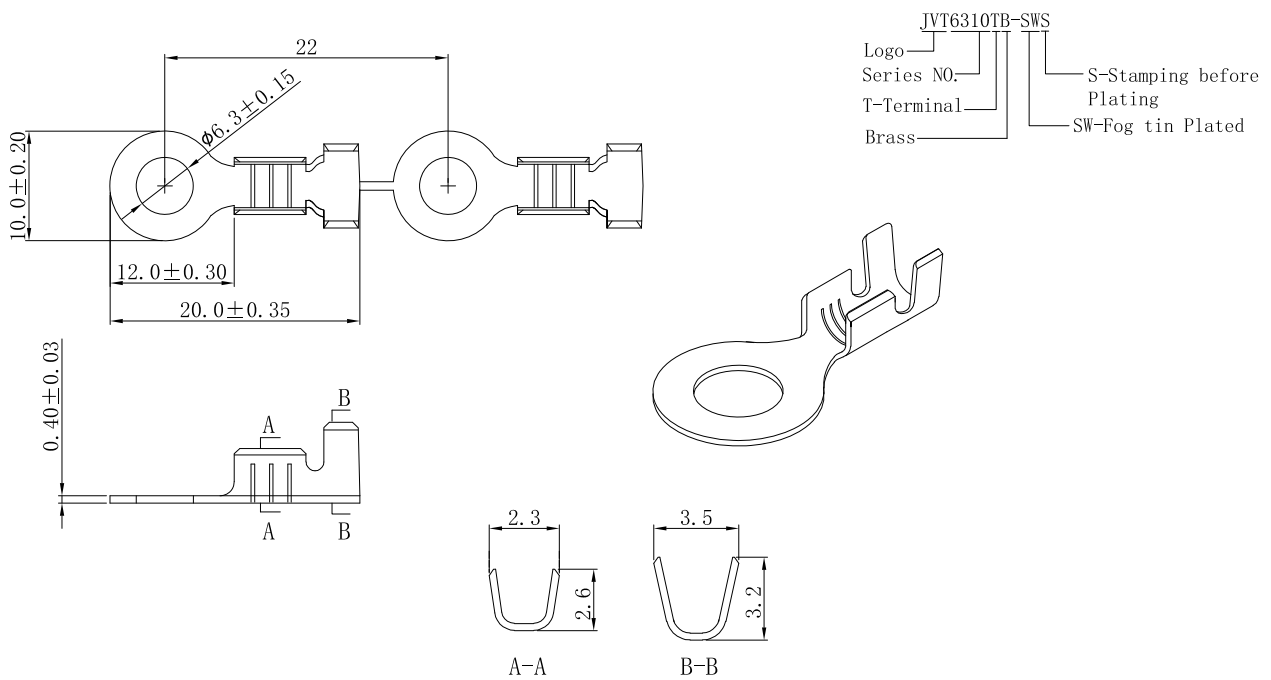
Brass	Tin-plated	NA	NA	0.50mm
Material	Finish(Pin)	Wire Range	Insulation O.D.	Thickness



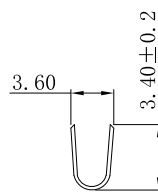
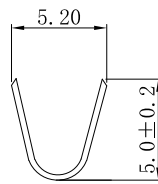
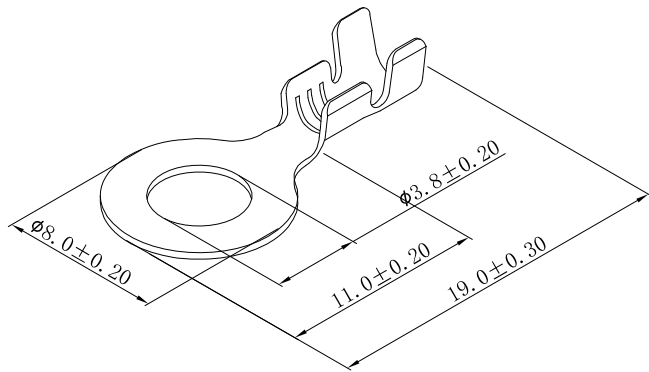
Brass	Tin-plated/ Fog tin plated	NA	NA	0.50mm
Material	Finish(Pin)	Wire Range	Insulation O.D.	Thickness



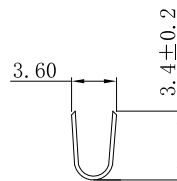
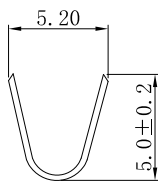
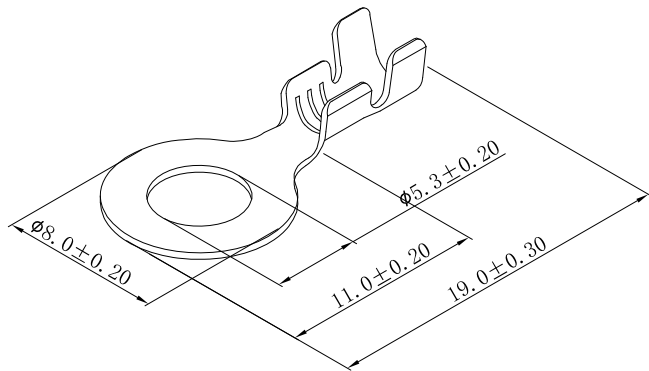
JVT6310TB-SWSH	Brass	Tin-plated	16-20#	NA	0.40mm
PART NO	Material	Finish(Pin)	Wire Range	Insulation O.D.	Thickness



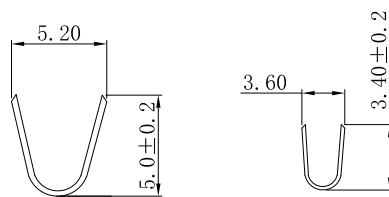
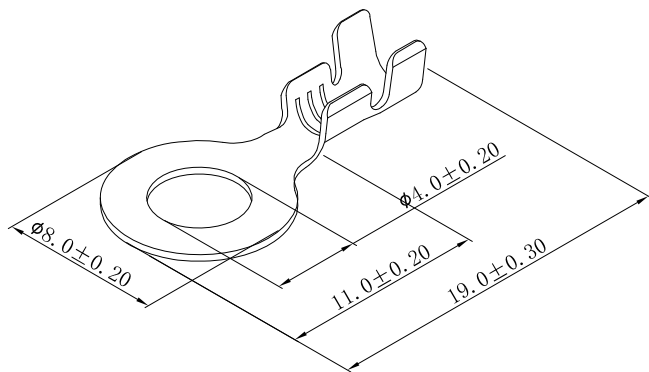
Brass	Fog tin plated	20-24#	NA	0.40mm
Material	Finish(Pin)	Wire Range	Insulation O.D.	Thickness



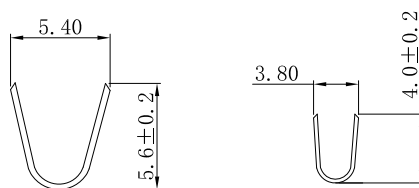
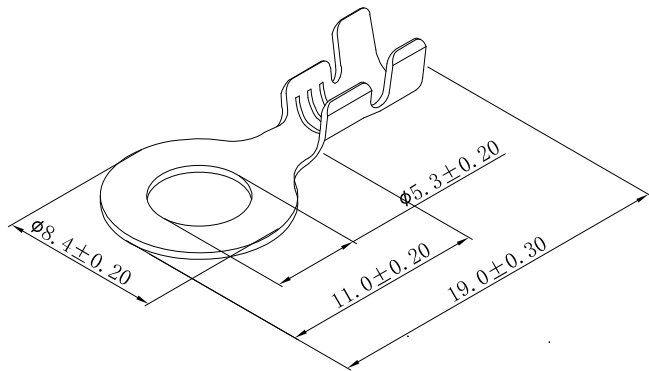
Brass	Tin-plated	16~20#	NA	0.50mm
Material	Finish(Pin)	Wire Range	Insulation O.D.	Thickness



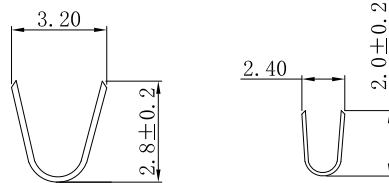
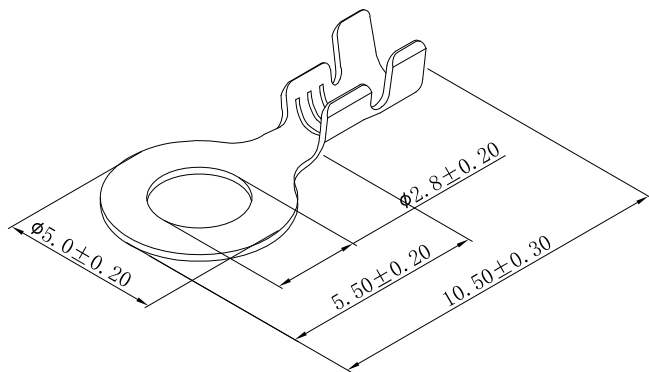
Brass	Tin-plated	16~20#	NA	0.50mm
Material	Finish(Pin)	Wire Range	Insulation O.D.	Thickness



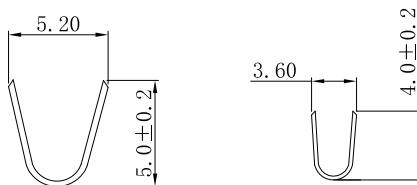
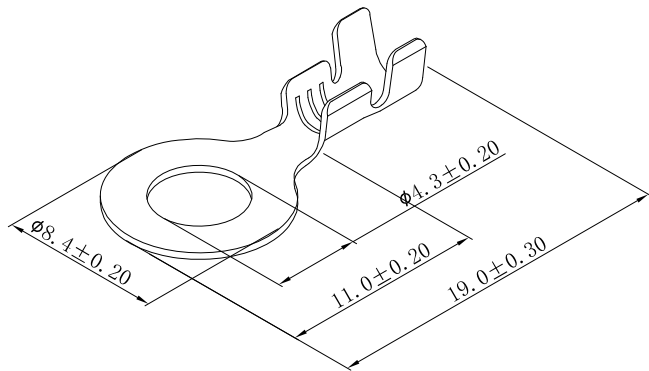
Brass	Tin-plated	16~20#	NA	0.50mm
Material	Finish(Pin)	Wire Range	Insulation O.D.	Thickness



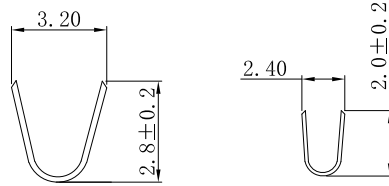
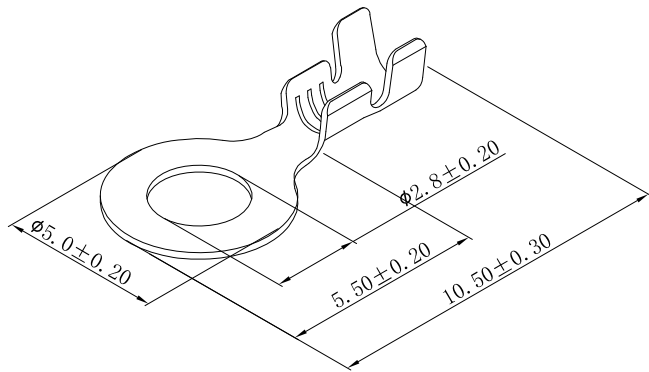
Brass	Tin-plated	16~20#	NA	0.50mm
Material	Finish(Pin)	Wire Range	Insulation O.D.	Thickness



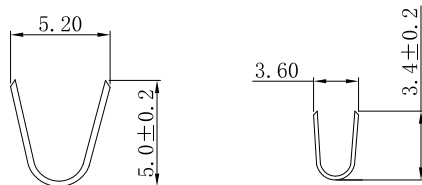
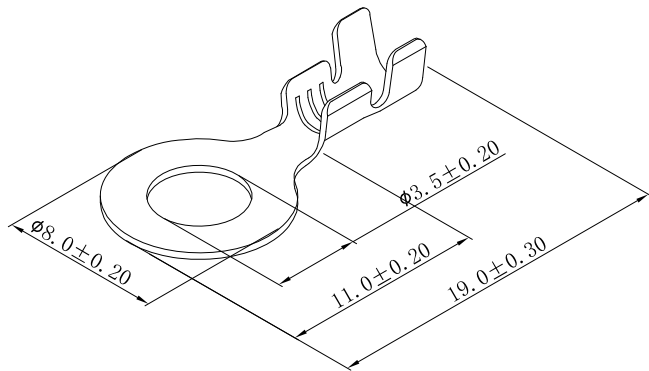
Brass	Tin-plated	16~20#	NA	0.40mm
Material	Finish(Pin)	Wire Range	Insulation O.D.	Thickness



Brass	Tin-plated	16~20#	NA	0.50mm
Material	Finish(Pin)	Wire Range	Insulation O.D.	Thickness



JVT3250TB-SNS	Brass	Tin-plated	16~20#	NA	0.40mm
PART NO	Material	Finish(Pin)	Wire Range	Insulation O.D.	Thickness



Brass	Tin-plated	16~20#	NA	0.50mm
Material	Finish(Pin)	Wire Range	Insulation O.D.	Thickness